

AMERICAN NATIONAL STANDARD

Standard for Performance-Rated Cross-Laminated Timber



AMERICAN NATIONAL STANDARD

Approval of an American National Standard requires review by ANSI that the requirements for due process, consensus, and other criteria for approval have been met by the standards developer. Consensus is established when, in the judgment of the ANSI Board of Standards Review, substantial agreement has been reached by directly and materially affected interests. Substantial agreement means more than a simple majority, but not necessarily unanimity. Consensus requires that all views and objections be considered, and that a concerted effort be made towards their resolution. The use of American National Standards is completely voluntary; their existence does not in any respect preclude anyone, whether he has approved the standards or not, from manufacturing, marketing, purchasing, or using products, processes, or procedures not conforming to the standards.

The American National Standards Institute does not develop standards and will in no circumstances give an interpretation of any American National Standard. Moreover, no person shall have the right or authority to issue an interpretation of an American National Standard in the name of the American National Standards Institute. Requests for interpretations should be addressed to the secretariat or sponsor whose name appears on the title page of this standard.

Caution Notice: This American National Standard may be revised or withdrawn at any time. The procedures of the American National Standards Institute require that action be taken periodically to reaffirm, revise, or withdraw this standard. Purchasers of American National Standards may receive current information on all standards by calling or writing the American National Standards Institute.

American National Standards Institute
25 West 43rd Street, 4th Floor
New York, NY 10036
www.ansi.org

Published by
APA – The Engineered Wood Association
7011 South 19th Street
Tacoma, WA 98466

Copyright © 2018 by *APA – The Engineered Wood Association*
All rights reserved.

Cover photo courtesy of Nordic Engineered Wood

No part of this publication may be reproduced in any form, in an electronic retrieval system or otherwise, without the prior written permission of the publisher.

ANSI/APA PRG 320-2018

AMERICAN NATIONAL STANDARD

Standard for Performance-Rated Cross-Laminated Timber

APA – The Engineered Wood Association

Approved February 6th, 2018
American National Standards Institute

FOREWORD (This Foreword is not a part of American National Standard ANSI/APA PRG 320-2018)

This standard provides requirements and test methods for qualification and quality assurance for performance-rated cross-laminated timber (CLT), which is manufactured from solid-sawn lumber or structural composite lumber (SCL) intended for use in construction applications. Product performance classes are also specified.

The development of this consensus American National Standard was achieved by following the *Operating Procedures for Development of Consensus Standards* of APA – The Engineered Wood Association, approved by the American National Standards Institute (ANSI).

Inquiries or suggestions for improvement of this Standard should be directed to APA – The Engineered Wood Association at 7011 South 19th Street, Tacoma, WA 98466, www.apawood.org.

CONTENTS

AMERICAN NATIONAL STANDARD ii

1. SCOPE	1
2. REFERENCED DOCUMENTS	1
2.1 U.S. Standards	1
2.2 Canadian Standards	2
2.3 International Standards	2
3. TERMINOLOGY	3
3.1 Definitions	3
3.2 Terms Specific to This Standard	3
4. SYMBOLS	7
4.1 CLT Section and Mechanical Properties	7
4.2 Lamination mechanical properties	8
5. PANEL DIMENSIONS AND DIMENSIONAL TOLERANCES	9
5.1 Thickness	9
5.2 CLT Dimensional Tolerances	9
5.3 Squareness	9
5.4 Straightness	9
6. COMPONENT REQUIREMENTS	9
6.1 Laminations—Lumber	9
6.1.1 Lumber species	9
6.1.2 Lumber grades	9
6.1.3 Lamination sizes	10
6.1.4 Moisture content	10
6.1.5 Face-bonding surface	10
6.1.6 Face-bonding dimensional tolerances	10
6.2 Laminations—Structural Composite Lumber	10
6.3 Adhesives	10
6.3.1 Requirements in the U.S.	10
6.3.2 Requirements in Canada	11
6.3.3 Elevated temperature performance requirements in the U.S. and Canada	11
6.4 Lamination Joints	11
6.4.1 General	11
6.4.2 End joints in laminations	11
6.4.3 Edge and face joints in laminations	11
7. CLT PERFORMANCE CRITERIA	11
7.1 Layup Requirements	11
7.2 Structural Performance Requirements	11
7.2.1 Custom CLT layups	12
7.2.3 Appearance Classifications	12
8. QUALIFICATION AND PRODUCT MARKING	12
8.1 Qualification Requirements	12
8.2 Plant Pre-Qualification	13
8.2.1 General	13
8.2.2 Fabrication of pre-qualification panels	13
8.2.3 Conditioning of pre-qualification panels	14
8.2.4 Specimens	14
8.2.5 Test methods and requirements	14
8.3 Qualification of Effective Bond Area	15
8.3.1 General	15
8.3.2 Sample selection and inspection	15
8.4 Qualification for Structural Performance	15
8.4.1 Required mechanical property qualification	15
8.4.2 Optional mechanical property qualification	15

8.5 Mechanical Property Qualification	15
8.5.1 Sampling	15
8.5.2 Sample conditioning	16
8.5.3 Flatwise bending properties	16
8.5.4 Flatwise shear properties	16
8.5.5 Edgewise bending properties	17
8.5.6 Edgewise shear properties	17
8.6 Process Changes Qualification	18
8.7 Mill Specification	18
8.8 Certification and Trademarking	18
8.8.1 Certification	18
8.8.2 Product marking	19
8.8.3 Frequency of marking	19
8.8.4 Custom products	19
8.8.5 Voiding marks	19

9. QUALITY ASSURANCE	19
9.1 Objectives	19
9.2 Process Control	19
9.3 End, Face, and Edge Joints in Laminations	20
9.3.1 Effective bonding area	20
9.3.2 Lamination grade limits	20
9.3.3 Glue skip in the face bondline	20
9.4 Finished Production Inspection	20
9.5 Minor Variations	20

ANNEX A. DESIGN PROPERTIES FOR ANSI/APA PRG-320 CLT (MANDATORY) 21

ANNEX B. PRACTICE FOR EVALUATING ELEVATED TEMPERATURE PERFORMANCE OF ADHESIVES USED IN CROSS-LAMINATED TIMBER (MANDATORY)	25
B1 Scope	25
B2 Referenced Documents	25
B3 Terminology	25
B4 Summary of Practice	26
B5 Significance and Use	26
B6 Sample Description	26
B7 Test Room Description	26
B8 Instrumentation	27
B9 Loading	28
B10 Calibration Test Method	28
B11 Qualification Test Method	30
B12 Acceptance Criteria	30
B13 Report	30

APPENDIX X1. EXAMPLES OF CLT APPEARANCE CLASSIFICATIONS (NON-MANDATORY)	30
X1-1 Architectural Appearance Classification	30
X1-2 Industrial Appearance Classification	31

APPENDIX X2. TEST SETUP USED IN THE DEVELOPMENT OF ANNEX B (NON-MANDATORY)	31
X2-1 Introduction	31
X2-2 Test Room	31
X2-3 Gas Burner	33

APPENDIX X3. HISTORY OF STANDARD (NON-MANDATORY) 39

1. SCOPE

Cross-laminated timber (CLT) panels referenced in this standard are defined in 3.2 and shall be qualified and trademarked in accordance with this standard. This standard provides dimensions and tolerances, performance requirements, test methods, quality assurance, and trademarking for CLT panels.

CLT panels shall be used in dry service conditions, such as in most covered structures, where the average equilibrium moisture content of solid wood is less than 16 percent in the U.S., and is 15 percent or less over a year and does not exceed 19 percent in Canada. CLT panels qualified in accordance with the provisions of this standard are intended to resist the effects of moisture on structural performance as may occur due to construction delays or other conditions of similar severity. Products carrying a trademark of this standard shall be used in accordance with the installation requirements prescribed in the recommendations provided by the CLT manufacturer, an *approved agency*, and/or its trade association. Finger joining, edge gluing, and face gluing between CLT panels, and camber of CLT panels are beyond the scope of this standard.

The annex contained in this standard is mandatory, while notes and appendices are non-mandatory. This standard incorporates the U.S. customary units as well as the International System of Units (SI). The values given in the U.S. customary units are the standard in the U.S. and the SI values given in parentheses are the standard in Canada.

2. REFERENCED DOCUMENTS

This standard incorporates dated references. Subsequent amendments or revisions to these references apply to this standard only when incorporated into this standard by amendments or revisions.

2.1 U.S. Standards

AITC Test T107-2007 Shear Test

ANSI 405-2018 Standard for Adhesives for Use in Structural Glued Laminated Timber

ANSI A190.1-2017 Structural Glued Laminated Timber

ANSI/AWC NDS-2015 National Design Specification for Wood Construction

ASTM D9-12 Standard Terminology Relating to Wood and Wood-Based Products

ASTM D198-15 Standard Test Methods of Static Tests of Lumber in Structural Sizes

ASTM D905-08 (2013) Standard Test Method for Strength Properties of Adhesive Bonds in Shear by Compression Loading

ASTM D907-15 Standard Terminology of Adhesives

ASTM D1037-12 Standard Test Methods for Evaluating Properties of Wood-Base Fiber and Particle Panel Materials

ASTM D2395-14e1 Standard Test Methods for Specific Gravity of Wood and Wood-Base Materials

ASTM D2559-12ae1 Standard Specification for Adhesives for Bonded Structural Wood Products for Use Under Exterior Exposure Conditions

ASTM D2915-10 Standard Practice for Sampling and Data-Analysis for Structural Wood and Wood-Based Products

ASTM D3737-12 Standard Practice for Establishing Stresses for Structural Glued Laminated Timber (Glulam)

ASTM D4761-13 Standard Test Methods for Mechanical Properties of Lumber and Wood-Based Structural Material

ASTM D5055-16 Standard Specification for Establishing and Monitoring Structural Capacities of Prefabricated Wood I-Joists

ASTM D5456-14b Standard Specification for Evaluation of Structural Composite Lumber Products

ASTM D6815-09 (2015) Standard Specification for Evaluation of Duration of Load and Creep Effects of Wood and Wood-Based Products

ASTM D7247-16 Standard Test Method for Evaluating the Shear Strength of Adhesive Bonds in Laminated Wood Products at Elevated Temperatures

ASTM D7374-08 (2015) Standard Practice for Evaluating Elevated Temperature Performance of Adhesives Used in End-Jointed Lumber

ASTM E119-16a Standard Test Methods for Fire Tests of Building Construction and Materials

U.S. Product Standard PS 1-09 Structural Plywood

U.S. Product Standard PS 20-15 American Softwood Lumber Standard

2.2 Canadian Standards

CAN/CSA O86-14 (Reprint 2016) Engineering Design in Wood

CAN/ULC S101-14 Standard Methods of Fire Endurance Tests of Building Construction and Materials

CSA O112.10-08 (R2013) Evaluation of Adhesives for Structural Wood Products (Limited Moisture Exposure)

CSA O122-16 Structural Glued-Laminated Timber

CSA O141-05 (R2014) Softwood Lumber

CSA O177-06 (R2015) Qualification Code for the Manufacturers of Structural Glued-Laminated Timber

NLGA Standard Grading Rules for Canadian Lumber (2014)

NLGA SPS 1-2017 Special Products Standard for Fingerjoined Structural Lumber

NLGA SPS 2-2017 Special Products Standard for Machine Graded Lumber

NLGA SPS 4-2014 Special Products Standard for Fingerjoined Machine Graded Lumber

NLGA SPS 6-2015 Special Products Standard for Structural Face-Glued Lumber

2.3 International Standards

ISO/IEC 17011-2004 Conformity Assessment—General Requirements for Accreditation Bodies Accrediting Conformity Assessment Bodies

ISO/IEC 17020-2012 Conformity Assessment—Requirements for Operation of Various Types of Bodies Performing Inspection

ISO/IEC 17025-2005 General Requirements for the Competence of Testing and Calibration Laboratories

ISO/IEC 17065-2012 Conformity Assessment—Requirements for Bodies Certifying Products, Processes, and Services

3. TERMINOLOGY

3.1 Definitions

See the referenced documents for definitions of terms used in this standard.

3.2 Terms Specific to This Standard

ASD Reference Design Value—design value used in the U.S. based on normal duration of load, dry service conditions, and reference temperatures up to 100°F (38°C) for the Allowable Stress Design (ASD)

Adhesive—a substance capable of holding materials together

Adherend—a material held to another material by an adhesive

Approved Agency (U.S.)—an established and recognized agency regularly engaged in conducting tests or furnishing inspection services, when such agency has been approved by regulatory bodies (see *Qualified Inspection Agency* and *Qualified Testing Agency*)

Approved Agency (Canada)—an established and recognized agency regularly engaged in conducting certification services, when such agency has been approved by regulatory bodies (see *Qualified Certification Agency*)

Bond—the attachment at an interface between adhesive and adherends or the act of attaching adherends together by adhesive

Bondline—the layer of adhesive that attaches two adherends

- **Face bondline**—the bondline joining the wide faces of laminations in adjacent layers
- **Edge bondline**—the optional bondline joining the narrow faces of adjacent laminations within one layer

Characteristic Values—the structural property estimate, typically a population mean for stiffness properties or a tolerance limit (5th percentile with 75% confidence) for strength properties, as estimated from the test data that is representative of the population being sampled

Cross-Laminated Timber (CLT)—a prefabricated engineered wood product made of at least three orthogonal layers of graded sawn lumber or structural composite lumber (SCL) that are laminated by gluing with structural adhesives

CLT Length—dimension of the CLT panel measured parallel to the major strength direction

Note 1. The length and width of CLT defined in this standard are based on the CLT panel dimension and may not be related to the end-use, such as wall, roof, and floor, applications.

CLT Panel—a single CLT billet formed by bonding laminations with a structural adhesive

CLT Thickness—dimension of the CLT panel measured perpendicular to the plane of the panel

CLT Width—dimension of the CLT panel measured perpendicular to the major strength direction

Curing—converting an adhesive into a fixed or hardened state by chemical and/or physical action

Delamination—the separation of layers in a laminate due to failure of the adhesive either in the adhesive itself or at the interface between the adhesive and the adherend

Edge (Panel Edge)—the narrow face of a panel that exposes the ends or narrow faces of the laminations

Edgewise Bending—bending of CLT under loads applied to the panel edge (see Figure 1) creating in-plane bending and edgewise shear, also known as in-plane shear or shear through-the-thickness

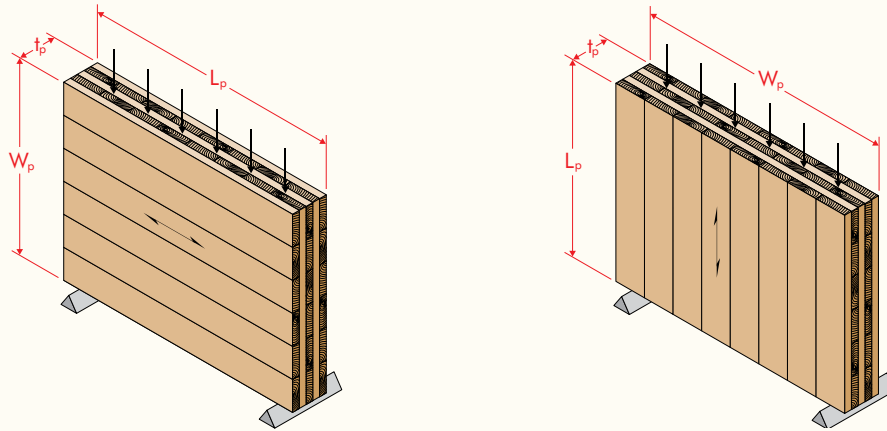
Edge Joint—a joint of the narrow faces of adjacent laminations within a CLT layer with or without gluing

Effective Bonding Area—proportion of the lamination wide face averaged over its length that is able to form a close contact bond upon application of pressure

End Joint—a joint made by gluing of two pieces of laminations within a CLT layer by the ends

FIGURE 1

EDGEWISE BENDING IN THE MAJOR (LEFT) AND MINOR (RIGHT) CLT STRENGTH DIRECTIONS

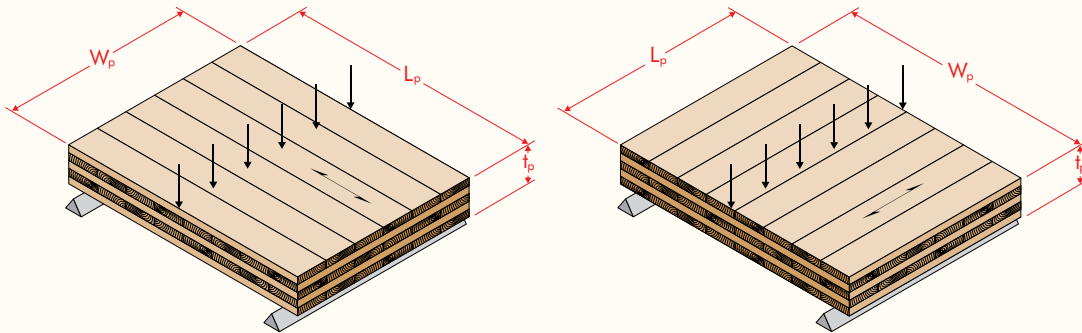


Face—one of the four longitudinal surfaces of a piece or panel

- **Lamination narrow face**—the face with the least dimension perpendicular to the lamination length
- **Lamination wide face**—the face with the largest dimension perpendicular to the lamination length
- **Panel face**—the face of the CLT length-width plane

Flatwise Bending—bending of CLT under transverse loads applied to the panel face (see Figure 2) creating out-of-plane bending and flatwise shear, also known as planar or rolling shear

FIGURE 2

FLATWISE BENDING IN THE MAJOR (LEFT) AND MINOR (RIGHT) CLT STRENGTH DIRECTIONS


Lamination—a piece of sawn lumber or structural composite lumber, including stress rated boards, remanufactured lumber, or end-joined lumber, which has been prepared and qualified for laminating

Layer—an arrangement of laminations of the same thickness, grade, and species combination laid out essentially parallel to each other in one plane

- **Longitudinal**—a layer with the laminations oriented parallel to the major strength direction
- **Transverse**—a layer with the laminations oriented perpendicular to the major strength direction, also referred to as cross layer

Layup—an arrangement of layers in a CLT panel determined by the grade, number, orientation, and thickness of laminations

Note 2. Typical CLT layups in this standard are listed in Annex A. Other (Custom) CLT layups may be established in accordance with 7.2.1.

LSD Design Value—design value used in Canada based on standard-term duration of load, dry service conditions, and temperatures up to 122°F (50°C) except for occasional exposures to 150°F (65°C) for the Limit States Design (LSD)

Major Strength Direction—general direction of the grain of the laminations in the outer layers of the CLT panel

Manufacturing Standard—a document that establishes the minimum requirements for manufacturing practices, staff, facilities, equipment, and specific quality assurance processes, including inspection (in the U.S.) and/or certification (in Canada), by which the product is manufactured

Mill Specification—a manufacturing specification based on product evaluation to be used for quality assurance purposes by the manufacturer and the *approved agency*

Minor Strength Direction—perpendicular to the major strength direction of the CLT panel

Qualified Certification Agency (Canada)—an agency meeting the following requirements:

- a. has trained personnel to perform product certification in compliance with all applicable requirements specified in this standard,
- b. has procedures to be followed by its personnel in performance of the certification,
- c. has no financial interest in, or is not financially dependent upon, any single company manufacturing the product being certified,
- d. is not owned, operated, or controlled by any such company, and
- e. is accredited by a recognized accreditation body under ISO/IEC 17065

Qualified Inspection Agency (U.S.)—an agency meeting the following requirements:

- a. has trained personnel to verify that the grading, measuring, species, construction, bonding, workmanship, and other characteristics of the products as determined by inspection in compliance with all applicable requirements specified in this standard,
- b. has procedures to be followed by its personnel in performance of the inspection,
- c. has no financial interest in, or is not financially dependent upon, any single company manufacturing the product being inspected,
- d. is not owned, operated, or controlled by any such company, and
- e. is accredited by a recognized accreditation body under ISO/IEC 17020

Qualified Testing Agency—an agency meeting the following requirements:

- a. has access to the facilities and trained technical personnel to conduct testing on the characteristics of the products by sampling and testing in compliance with all applicable requirements specified in this standard,
- b. has procedures to be followed by its personnel in performance of the testing,
- c. has no financial interest in, or is not financially dependent upon, any single company manufacturing the product being tested,
- d. is not owned, operated, or controlled by any such company, and
- e. is accredited by a recognized accreditation body under ISO/IEC 17025

Recognized Accreditation Body—an organization complying with ISO/IEC 17011 and recognized by the regulatory body having jurisdiction as qualified to evaluate and accredit certification agencies, inspection agencies and/or testing agencies

Remanufactured Lumber—lumber that meets the requirements of Section 5.4 of ANSI A190.1 in the U.S., or NLGA SPS 1, 2, 4, or 6 in Canada

Structural Composite Lumber (SCL) —an engineered wood product that is intended for structural use and bonded with adhesives, and meeting the definition and requirements of ASTM D5456

Wood Failure—the rupturing of wood fibers from the specified block shear test on bonded specimens, measured as the area of wood fiber remaining at the bondline and expressed as a percentage of total area involved in such failure

4. SYMBOLS

4.1 CLT Section and Mechanical Properties

Symbol	Definition	Reference(s)
$E_{e,0}$	Effective edgewise bending modulus of elasticity of CLT, in psi (MPa), in the major strength direction, used with $I_{e,0}$ when calculating edgewise bending stiffness	8.5.5.2
$E_{e,90}$	Effective edgewise bending modulus of elasticity of CLT, in psi (MPa), in the minor strength direction, used with $I_{e,90}$ when calculating edgewise bending stiffness	8.5.5.2
$(EI)_{eff,f,0}$	Effective flatwise bending stiffness of CLT, in lbf-in ² /ft (N-mm ² /m) of width, in the major strength direction	8.5.3.2 and Tables A2 and A4
$(EI)_{eff,f,90}$	Effective flatwise bending stiffness of CLT, in lbf-in ² /ft (N-mm ² /m) of width, in the minor strength direction	8.5.3.2 and Tables A2 and A4
$f_{b,e,0}$	Effective LSD specified edgewise bending strength of CLT, in MPa, in the major strength direction, used with $S_{e,0}$ when calculating LSD edgewise bending moment resistance.	8.5.5.2
$F_{b,e,0}$	Effective ASD reference edgewise bending stress of CLT, in psi, in the major strength direction, used with $S_{e,0}$ when calculating ASD reference edgewise bending moment.	8.5.5.2
$f_{b,e,90}$	Effective LSD specified edgewise bending strength of CLT, in MPa, in the minor strength direction, used with $S_{e,90}$ when calculating LSD edgewise bending moment resistance.	8.5.5.2
$F_{b,e,90}$	Effective ASD reference edgewise bending stress of CLT, in psi, in the minor strength direction, used with $S_{e,90}$ when calculating ASD reference edgewise bending moment.	8.5.5.2
$(f_b S)_{eff,f,0}$	Effective LSD flatwise bending moment resistance of CLT, in N-mm/m of width, in the major strength direction	8.5.3.2 and Table A4
$(F_b S)_{eff,f,0}$	Effective ASD reference flatwise bending moment of CLT, in lbf-ft/ft of width, in the major strength direction	8.5.3.2 and Table A2
$(f_b S)_{eff,f,90}$	Effective LSD flatwise bending moment resistance of CLT, in N-mm/m of width, in the minor strength direction	8.5.3.2 and Table A4
$(F_b S)_{eff,f,90}$	Effective ASD reference flatwise bending moment of CLT, in lbf-ft/ft of width, in the minor strength direction	8.5.3.2 and Table A2
$f_{v,e,0}$	LSD specified edgewise shear strength of CLT, in MPa, in the major strength direction, used with t_p when calculating LSD edgewise shear resistance.	8.5.6.2
$F_{v,e,0}$	ASD reference edgewise shear stress of CLT, in psi, in the major strength direction, used with t_p when calculating ASD reference edgewise shear capacity.	8.5.6.2
$f_{v,e,90}$	LSD specified edgewise shear strength of CLT, in MPa, in the minor strength direction, used with t_p when calculating LSD edgewise shear resistance.	8.5.6.2
$F_{v,e,90}$	ASD reference edgewise shear stress of CLT, in psi, in the minor strength direction, used with t_p when calculating ASD reference edgewise shear capacity	8.5.6.2
$G_{e,0}$	Effective modulus of rigidity (shear modulus) in edgewise bending of CLT, in psi (MPa), in the major strength direction, used with t_p when calculating edgewise shear stiffness	8.5.6.2
$G_{e,90}$	Effective modulus of rigidity (shear modulus) in edgewise bending of CLT, in psi (MPa), in the minor strength direction, used with t_p when calculating edgewise shear stiffness	8.5.6.2
$(GA)_{eff,f,0}$	Effective shear stiffness in flatwise bending of CLT in lbf/ft (N/m) of width in the major strength direction	8.5.4.2, and Tables A2 and A4
$(GA)_{eff,f,90}$	Effective shear stiffness in flatwise bending of CLT in lbf/ft (N/m) of width in the minor strength direction	8.5.4.2, and Tables A2 and A4
$I_{e,0}$	Gross moment of inertia of CLT in edgewise bending in the major strength direction, in in. ⁴ (mm ⁴), for a specific panel width (beam depth), calculated as $\frac{W_p^3 t_p}{12}$	8.5.5.2
$I_{e,90}$	Gross moment of inertia of CLT in edgewise bending in the minor strength direction, in in. ⁴ (mm ⁴), for a specific panel length (beam depth), calculated as $\frac{L_p^3 t_p}{12}$	8.5.5.2
L_p	Length of CLT panel in ft (m), measured in the major strength direction	Figures 1 and 2

Symbol	Definition	Reference(s)
$S_{e,0}$	Gross section modulus of CLT in edgewise bending in the major strength direction, in in. ³ (mm ³) for a specific CLT width (beam depth), calculated as $\frac{W_p^3 t_p}{6}$	8.5.5.2
$S_{e,90}$	Gross section modulus of CLT in edgewise bending in the minor strength direction, in in. ³ (mm ³) for a specific CLT length (beam depth), calculated as $\frac{L_p^2 t_p}{6}$	8.5.5.2
t_p	Gross thickness of CLT panel, in in. (mm)	Figures 1 and 2, Tables A2 and A4, and 8.5.6.2
$v_{s,0}$	LSD flatwise shear resistance, in N/m of width, in the major strength direction	8.5.4.2 and Table A4
$V_{s,0}$	ASD reference flatwise shear capacity, in lbf/ft of width, in the major strength direction	8.5.4.2 and Table A2
$v_{s,90}$	LSD flatwise shear strength, in N/m of width, in the minor strength direction	8.5.4.2 and Table A4
$V_{s,90}$	ASD reference flatwise shear capacity, in lbf/ft of width, in the minor strength direction	8.5.4.2 and Table A2
W_p	Width of CLT panel in ft (m), measured in the minor strength direction	Figures 1 and 2

4.2 Lamination mechanical properties

Symbol	Definition	Reference(s)
E	Modulus of elasticity of a lamination, in psi (MPa)	Tables 1, A1, and A3
f_b	Characteristic bending strength or LSD specified bending strength of a lamination, in psi (MPa)	Tables 1 and A3
F_b	ASD reference bending stress of a lamination, in psi	Table A1
f_c	Characteristic axial compressive strength or LSD specified axial compressive strength of a lamination, in psi (MPa)	Tables 1 and A3
F_c	ASD reference axial compressive stress of a lamination, in psi	Table A1
f_s	Characteristic planar (rolling) shear strength or LSD specified planar (rolling) shear strength of a lamination, in psi (MPa)	Tables 1 and A3
F_s	ASD reference planar (rolling) shear stress of a lamination, in psi	Table A1
f_t	Characteristic axial tensile strength or LSD specified axial tensile strength of a lamination, in psi (MPa)	Tables 1 and A3
F_t	ASD reference axial tensile stress of a lamination, in psi	Table A1
f_v	Characteristic shear strength or LSD specified shear strength of a lamination, in psi (MPa)	Tables 1 and A3
F_v	ASD reference shear stress of a lamination, in psi	Table A1
G	Modulus of rigidity (shear modulus) of a lamination, in psi (MPa)	Tables A1 and A3

5. PANEL DIMENSIONS AND DIMENSIONAL TOLERANCES

5.1 Thickness

The thickness of CLT shall not exceed 20 inches (508 mm).

5.2 CLT Dimensional Tolerances

Dimension tolerances permitted at the time of manufacturing shall be as follows:

- Thickness: $\pm 1/16$ inch (1.6 mm) or 2% of the CLT thickness, whichever is greater
- Width: $\pm 1/8$ inch (3.2 mm) of the CLT width
- Length: $\pm 1/4$ inch (6.4 mm) of the CLT length

Textured or other face or edge finishes are permitted to alter the tolerances specified in this section. The designer shall compensate for any loss in cross-section and/or specified strength of such alterations.

Note 3. The manufacturer may be contacted for recommendations.

5.3 Squareness

Unless specified otherwise, the length of the two panel face diagonals measured between panel corners shall not differ by more than $1/8$ inch (3.2 mm).

5.4 Straightness

Unless specified otherwise, deviation of edges from a straight line between adjacent panel corners shall not exceed $1/16$ inch (1.6 mm).

6. COMPONENT REQUIREMENTS

6.1 Laminations—Lumber

6.1.1 Lumber species

Any softwood lumber species or species combinations recognized by American Lumber Standards Committee (ALSC) under PS 20 or Canadian Lumber Standards Accreditation Board (CLSAB) under CSA O141 with a minimum published specific gravity of 0.35, as published in the National Design Specification for Wood Construction (NDS) in the U.S. and CSA O86 in Canada, shall be permitted for use in CLT manufacturing provided that other requirements specified in this section are satisfied. The same lumber species or species combination shall be used within a single layer of CLT. Adjacent layers of CLT shall be permitted to be made of different species or species combinations.

6.1.2 Lumber grades

The minimum grade of lumber in the parallel layers of CLT shall be 1200f-1.2E MSR or visual grade No. 2. The minimum grade of lumber in the perpendicular layers of CLT shall be visual grade No. 3. Remanufactured lumber shall be considered as equivalent to solid-sawn lumber when qualified in accordance with Section 5.4 of ANSI A190.1 in the U.S. or SPS 1, 2, 4, or 6 in Canada. Proprietary lumber grades meeting or exceeding the mechanical properties of the lumber grades specified above shall be permitted for use provided that they are qualified in accordance with the requirements of an *approved agency*.

Note 4. ASTM D5055 provides guidance for proprietary lumber grades used specifically in I-joist applications.

6.1.3 Lamination sizes

- a. Major Strength Direction**—The net width of a lamination shall not be less than 1.75 times the lamination thickness for the parallel layers.
- b. Minor Strength Direction**—If the laminations in the perpendicular (cross) layers are not edge bonded, the net width of a lamination shall not be less than 3.5 times the lamination thickness for the perpendicular (cross) layers unless the interlaminar shear strength and creep are evaluated by testing in accordance with Section 8.5.4.1 and the principles of ASTM D6815, respectively.
- c. Both Directions**—The net thickness of a lamination for all layers at the time of gluing shall not be less than 5/8 inch (16 mm) or more than 2 inches (51 mm). In addition, the lamination thickness shall not vary within the same CLT layer.

6.1.4 Moisture content

The moisture content of the lumber at the time of CLT manufacturing shall be $12 \pm 3\%$. The moisture content of the SCL at the time of CLT manufacturing shall be $8 \pm 3\%$.

6.1.5 Face-bonding surface

All face-bonding surfaces shall be planed prior to face bonding and except for minor local variations, shall be free of raised grain, torn grain, skip, burns, glazing or other deviations from the plane of the surface that might interfere with the contact of sound wood fibers in the bonding surfaces. All face-bonding surfaces shall be free from dust, foreign matter, and exudation that are detrimental to satisfactory bonding.

Note 5. It may be necessary to plane the lamination surface within 48 hours of face bonding for some wood species.

6.1.6 Face-bonding dimensional tolerances

At the time of face-bonding, variations in thickness across the width of a lamination shall not exceed ± 0.008 inch (0.2 mm). The variation in thickness along the length of a lamination shall not exceed ± 0.012 inch (0.3 mm). Bow and cup shall not be so great that they will not be straightened out by pressure in bonding.

6.2 Laminations—Structural Composite Lumber

SCL products meeting the requirements of ASTM D5456 and the equivalent specific gravity specified in 6.1.1 shall be permitted for use. SCL laminations must also meet the requirements of 6.1.3 through 6.1.6.

6.3 Adhesives

Adhesives used for CLT manufacturing shall meet the requirements specified in this section.

6.3.1 Requirements in the U.S.

Adhesives used in CLT shall meet the requirements of ANSI 405 with the following exceptions:

- a.** Section 2.1.6 of ANSI 405 is not required, and
- b.** The CSA O177 small-scale flame test (Sections 2.1.7 and 3.7 of ANSI 405) shall be conducted using CLT specimens of the same size and geometry as the structural glued laminated timber specimens (see Note 6).

6.3.2 Requirements in Canada

Adhesives used in CLT shall meet the requirements of CSA O112.10, and Sections 2.1.3, 2.1.7, 3.3, and 3.7 of ANSI 405 with the following exception:

- a. The CSA O177 small-scale flame test (Sections 2.1.7 and 3.7 of ANSI 405) shall be conducted using CLT specimens of the same size and geometry as the structural glued laminated timber specimens (see Note 6).

Note 6: The CSA O177 small-scale flame test specimens should be made with orthogonal 0.78-inch (20-mm) laminations to replicate a CLT configuration, resulting in 8 laminations (6.3 inches or 160 mm) in height, and approximately 6 inches (150 mm) in width and 1.6 inches (40 mm) in thickness. There should be no edge joints within the inner 6 laminations. Whenever possible, the pith should be centered along the lamination.

6.3.3 Elevated temperature performance requirements in the U.S. and Canada

Adhesives shall be evaluated and comply with the requirements for elevated temperature performance in accordance with Annex B.

Note 7: The intent of the elevated temperature performance evaluation is to identify and exclude use of adhesives that permit CLT char layer fall-off resulting in fire regrowth during the cooling phase of a fully developed fire.

6.4 Lamination Joints

6.4.1 General

The lamination joints of CLT shall meet the requirements specified in this section.

6.4.2 End joints in laminations

The strength, wood failure, and durability of lamination end joints shall be qualified in accordance with Section 12.1.3 of ANSI A190.1 and meet the requirements specified therein the U.S., or shall be qualified in accordance with Section 9.5 of CSA O177 and meet the requirements specified therein in Canada.

6.4.3 Edge and face joints in laminations

The wood failure and durability of the face and edge (when required for structural performance) joints shall be qualified in accordance with Section 12.1.2 of ANSI A190.1 and meet all requirements, except for the shear strength, specified in Section 12.1.2.(b) of that standard in the U.S., or shall be qualified in accordance with Sections 9.2 and 9.3 of CSA O177 and meet all requirements, except for the shear strength, specified therein in Canada.

7. CLT PERFORMANCE CRITERIA

CLT shall meet the performance requirements established in this section.

7.1 Layup Requirements

The arrangement of orthogonal layers shall be specified in the manufacturing standard of each CLT plant when qualified in accordance with the requirements specified in this section and by an *approved agency*.

7.2 Structural Performance Requirements

Structural performance shall be evaluated for each CLT layup unless otherwise noted in this section. CLT shall meet the minimum structural performance based on the properties shown in Table 1 multiplied by the section properties provided by the manufacturer and accepted by an *approved agency* when evaluated and confirmed by test results in accordance with 8.5. CLT panels manufactured with SCL layers, which do not meet Table 1 requirements, shall be qualified in accordance with 7.2.1.

TABLE 1

REQUIRED CHARACTERISTIC TEST VALUES^{a,b,c,d} FOR LAMINATIONS USED IN PRG 320 CLT

CLT Layup	Laminations Used in Major Strength Direction						Laminations Used in Minor Strength Direction					
	f_b (psi)	E (10 ⁶ psi)	f_t (psi)	f_c (psi)	f_v (psi)	f_s (psi)	f_b (psi)	E (10 ⁶ psi)	f_t (psi)	f_c (psi)	f_v (psi)	f_s (psi)
E1	4,095	1.7	2,885	3,420	425	140	1,050	1.2	525	1,235	425	140
E2	3,465	1.5	2,140	3,230	565	185	1,100	1.4	680	1,470	565	185
E3	2,520	1.2	1,260	2,660	345	115	735	0.9	315	900	345	115
E4	4,095	1.7	2,885	3,420	550	180	945	1.3	525	1,375	550	180
V1	1,890	1.6	1,205	2,565	565	185	1,100	1.4	680	1,470	565	185
V2	1,835	1.4	945	2,185	425	140	1,050	1.2	525	1,235	425	140
V3	1,575	1.4	945	2,375	550	180	945	1.3	525	1,375	550	180

For SI: 1 psi = 0.006895 MPa

a. See Section 4 for symbols.

b. Tabulated values are test values and shall not be used for design. See Annex A for design properties.

c. Custom CLT layups that are not listed in this table shall be permitted in accordance with 7.2.1.

d. The characteristic values shall be determined as follows from the published reference design value unless otherwise justified by the *approved agency*:

$f_b = 2.1 \times$ published ASD reference bending stress (F_b),

$f_t = 2.1 \times$ published ASD reference tensile stress (F_t),

$f_c = 1.9 \times$ published ASD reference compressive stress parallel to grain (F_c),

$f_v = 3.15 \times$ published ASD reference shear stress (F_v)

Note 8. The "E" designation indicates a CLT layup based on the use of E-rated or MSR laminations in the longitudinal layers and the "V" designation indicates a CLT layup based on the use of visually graded laminations in the longitudinal layers. Visually graded laminations are used in the transverse layers for both "E" and "V" layups. The specific species and grade of the longitudinal layers and the corresponding transverse layers for each "E" and "V" designation are based on the layups shown in Annex A.

7.2.1 Custom CLT layups

Custom CLT layups permitted when approved by an *approved agency* in accordance with the qualification and mechanical test requirements (see 8.4 and 8.5) specified in this standard. In this case, a unique CLT layup designation shall be assigned by the *approved agency* if the custom product represents a significant product volume of the manufacturer to avoid duplication with an existing CLT grade designation that has been assigned to other manufacturers.

Note 9. Annex A provides the design capacities for some CLT layups. The custom CLT layups are intended for layups that are different from those provided in Tables 1, A1, A2, A3, and A4, and may include double outer layers or unbalanced layups when clearly identified for installation, as required by the manufacturer and the *approved agency*.

7.3 Appearance Classifications

CLT panel appearance shall be as agreed to between the buyer and the seller.

Note 10. Appendix X1 contains examples of CLT appearance classifications for reference.

8. QUALIFICATION AND PRODUCT MARKING

8.1 Qualification Requirements

Required qualification tests for CLT components, such as lumber, adhesives, and end, face, and edge joints are provided in Section 6 and summarized in Table 2. This section provides requirements for plant qualification and CLT qualification tests to meet the structural performance levels specified in Tables A2 and A4.

TABLE 2

SUMMARY OF QUALIFICATION REQUIREMENTS

Qualification for	Standard(s)	Referenced Section(s) in This Standard
Lumber	Grading Rules/Manufacturing Standard	6.1.1 to 6.1.4
SCL	ASTM D5456	6.2
Adhesives	AITC 405 or CSA O112.10	6.3
End Joints	Section 12.1.3 of ANSI A190.1 and/or Section 9.5 of CSA O177	6.4.2
Face Joints	Section 12.1.2 of ANSI A190.1 and/or Sections 9.2 and 9.3 of CSA O177	6.1.5, 6.1.6, 6.4.3, 8.2, and 8.3
Edge Joints (if applicable)	Section 12.1.2 of ANSI A190.1 and/or Sections 9.2 and 9.3 of CSA O177	6.4.3
CLT Panel Dimensions	—	5
CLT Panel Structural Performance	ASTM D198 or ASTM D4761	7.2 and 8.5

8.2 Plant Pre-Qualification**8.2.1 General**

The CLT plant shall be pre-qualified for the manufacturing factors considered (see 8.2.2) using full-thickness qualification panels of 24 inches (610 mm) or more in the major strength direction and 18 inches (457 mm) or more in the minor strength direction (hereafter referred to as “pre-qualification panels”). A minimum of two replicate CLT pre-qualification panels shall be manufactured for pre-qualification for each combination of factors considered in 8.2.2. The two replicate CLT pre-qualification panels shall not be extracted from a single full-size CLT panel.

Note 11. A pre-qualification panel of 24 inches (610 mm) or more in the minor strength direction is recommended, particularly for thicker CLT products.

Pre-qualification panels shall be prepared at the facility or at an alternative facility acceptable to the *approved agency*. All pre-qualification panels shall be:

- a. Of the same approximate length and width at the time of pressing;
- b. Pressed individually; and
- c. Taken from approximately the geometric center of the larger panel, if applicable.

8.2.2 Fabrication of pre-qualification panels

Application of pressure to manufacture pre-qualification panels shall reflect the key characteristics of the manufacturing equipment, including the platen and glue spreader (as applicable) that is or will be used in the facility to be qualified. The applicability of the results shall be documented by the *approved agency*.

Note 12. For example, pre-qualification panels for facilities using a vacuum press or an air bag should be clamped using a vacuum press or an air bag inserted between the sample and the rigid platen. In addition, the sample preparation facility should distinguish between, for example, roller versus curtain coating and single spread versus double spread, which varies in the uniformity of the adhesive spread.

Factors considered for pre-qualification evaluation shall include assembly time, lumber moisture content, adhesive spread rate, clamping pressure, and wood surface temperature, as specified in the manufacturing standard of the plant and accepted by the *approved agency*.

8.2.3 Conditioning of pre-qualification panels

Pre-qualification panels shall be stored in an indoor environment for a minimum of 24 hours or until the adhesive has cured sufficiently to permit evaluation, whichever is longer.

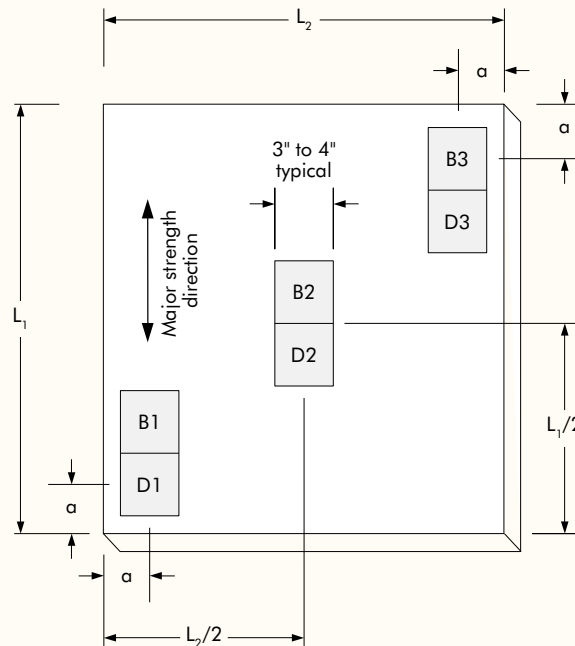
Note 13. For panels larger than the specified pre-qualification panel size, the panels may be trimmed to the specified size to facilitate conditioning.

8.2.4 Specimens

Six square/rectangular specimens (three for block shear tests, i.e., “B” specimens and three for delamination tests, i.e., “D” specimens) shall be extracted from each pre-qualification panel at the locations shown in Figure 3 and labeled to indicate the panel number and the specimen position within the panel. If the pre-qualification panel is larger than the specified pre-qualification panel size, the pre-qualification sampling area shall be 24 inches (610 mm) to 36 inches (910 mm) square located at the geometric center of the panel.

FIGURE 3

BLOCK SHEAR (“B”) AND DELAMINATION (“D”) SPECIMEN LOCATIONS
 $\alpha = 4 \pm 1$ inches, $L_1 = 24$ to 36 inches, and $L_2 = 24$ to 36 inches (1 inch = 25.4 mm)



8.2.5 Test methods and requirements

The specimens obtained in accordance with 8.2.4 shall be qualified and meet the requirements specified in 6.4.3 of this standard.

8.3 Qualification of Effective Bond Area

8.3.1 General

The manufacturer shall establish visual grading rules for the bonded faces and limit the average glue skip to maintain an average effective bond area of 80% or more.

Note 14. Alternatively, glue skips may be treated as delamination.

The manufacturer's visual grading rules established to achieve the effective bond area shall include major visual characteristics based on characteristic measurements consistent with standard lumber grading rules.

8.3.2 Sample selection and inspection

Samples shall be drawn from representative production of laminations meeting the manufacturer's visual grading rules and positioned in accordance with the in-plant manufacturing standard. The layer formed by the laminations shall be verified by the *approved agency* to provide an effective bond area of 80% or more over any randomly selected area not less than 48 inches (1,220 mm) square.

Note 15. A template with a square opening may be used to facilitate inspection.

8.4 Qualification for Structural Performance

Following plant pre-qualification, a representative sample of CLT panels shall be manufactured for qualification tests in accordance with 8.4.1 and 8.4.2. Depending on the number of layups intended for qualification, a qualification plan shall be developed and accepted by an *approved agency* in accordance with the principles prescribed in this section.

8.4.1 Required mechanical property qualification

The flatwise bending and flatwise shear properties of CLT layups in both major and minor strength directions shall be tested in accordance with 8.5.3 and 8.5.4 to confirm the design values shown in Table A2 for use in the U.S. or Table A4 for use in Canada, or the design values approved by an *approved agency*.

8.4.2 Optional mechanical property qualification

When edgewise bending and edgewise shear properties are to be approved by an *approved agency*, qualification tests shall be conducted in accordance with 8.5.5 and 8.5.6, respectively.

8.5 Mechanical Property Qualification

The design values from required mechanical property qualification (8.4.1) and optional mechanical property qualification (8.4.2) shall be approved by an *approved agency* in accordance with this section.

8.5.1 Sampling

Test samples shall be representative of typical production and shall be sampled at the manufacturing facility by an *approved agency* using the layup intended for qualification. The sample size required for stiffness capacities shall be sufficient for estimating the population mean within 5% precision with 75% confidence, or 10 specimens, whichever is greater. In general, a sample size larger than 10 is needed when the coefficient of variation is greater than 13%. The sample size required for strength capacities shall be sufficient for estimating the characteristic value with 75% confidence in accordance with ASTM D2915.

8.5.2 Sample conditioning

CLT panel samples shall be stored in an indoor environment for a minimum of 24 hours or until the adhesive has cured sufficiently to permit evaluation, whichever is longer. The CLT samples at the time of mechanical tests shall have an average moisture content of not less than 8%.

8.5.3 Flatwise bending properties

Flatwise bending stiffness and bending moment capacity (resistance) shall be evaluated in accordance with 8.5.3.1 and 8.5.3.2

8.5.3.1 Flatwise bending test methods

Flatwise bending tests shall be conducted in both major and minor strength directions in accordance with the third-point load method of Sections 4 through 12 of ASTM D198 or Section 8 of ASTM D4761 using the specimen width of not less than 12 inches (305 mm) and the on-center span equal to approximately 30 times the specimen depth for the tests in the major strength direction and approximately 18 times the specimen depth for the tests in the minor strength direction. The weight of the CLT panel is permitted to be included in the determination of the flatwise bending moment capacity (resistance).

8.5.3.2 Flatwise bending qualification requirements

In the U.S. and Canada, the average flatwise bending stiffness determined from qualification tests shall equal or exceed the published flatwise bending stiffness $[(EI)_{\text{eff},f,0}$ or $(EI)_{\text{eff},f,90}]$.

In the U.S., the characteristic flatwise bending moment capacity determined from qualification tests shall equal or exceed the published ASD reference flatwise bending moment capacity $[(F_b S)_{\text{eff},f,0}$ or $(F_b S)_{\text{eff},f,90}]$ times 2.1. In Canada, the characteristic flatwise bending moment resistance determined from qualification tests shall equal or exceed the published LSD flatwise bending resistance $[(f_b S)_{\text{eff},f,0}$ or $(f_b S)_{\text{eff},f,90}]$ divided by 0.96.

8.5.4 Flatwise shear properties

Flatwise shear stiffness and capacity (resistance) shall be evaluated in accordance with 8.5.4.1 and 8.5.4.2.

8.5.4.1 Flatwise shear test methods

Flatwise shear stiffness tests shall be conducted in both major and minor strength directions in accordance with Sections 45 through 52 of ASTM D198.

Flatwise shear tests shall be conducted in both major and minor strength directions in accordance with the center-point load method of Sections 4 through 12 of ASTM D198 or Section 7 of ASTM D4761 using the specimen width of not less than 12 inches (305 mm) and the on-center span equal to 5 to 6 times the specimen depth. The bearing length shall be sufficient to avoid bearing failure, but not greater than the specimen depth. All specimens are to be cut to length with no overhangs allowed.

8.5.4.2 Flatwise shear qualification requirements

In the U.S. and Canada, the average flatwise shear stiffness determined from qualification tests shall equal or exceed the published shear stiffness in flatwise bending $[(GA)_{\text{eff},f,0}$ or $(GA)_{\text{eff},f,90}]$.

In the U.S., the characteristic flatwise shear capacity determined from qualification tests shall equal or exceed the published ASD reference flatwise shear capacity $(V_{s,0}$ or $V_{s,90})$ times 2.1. In Canada, the characteristic flatwise shear resistance determined from qualification tests shall equal or exceed the published LSD flatwise shear resistance $(v_{s,0}$ or $v_{s,90})$ divided by 0.96.

8.5.5 Edgewise bending properties

Edgewise bending stiffness and bending moment capacity (resistance) shall be permitted to be evaluated in accordance with 8.5.5.1 and 8.5.5.2. The volume, creep and load duration effects of edgewise bending capacity (resistance) shall be evaluated in accordance with the principles of Sections 7.4.1 and 7.4.2 of ASTM D5456.

8.5.5.1 Edgewise bending test methods

Bending tests shall be conducted edgewise in both major and minor strength directions in accordance with the third-point load method of Sections 4 through 12 of ASTM D198 or Section 6 of ASTM D4761 using the specimen depth of not less than 12 inches (305 mm) and the on-center span equal to approximately 18 times the specimen depth. The weight of the CLT panel is permitted to be included in the determination of the edgewise bending moment capacity (resistance).

8.5.5.2 Edgewise bending qualification requirements

In the U.S. and Canada, the average edgewise bending stiffness determined from qualification tests divided by the calculated moment of inertia ($I_{e,0}$ or $I_{e,90}$) shall equal or exceed the published edgewise bending modulus of elasticity ($E_{e,0}$ or $E_{e,90}$).

In the U.S., the characteristic edgewise bending moment capacity determined from qualification tests shall equal or exceed the published ASD reference edgewise bending stress ($F_{b,e,0}$ or $F_{b,e,90}$) multiplied by the calculated edgewise section modulus ($S_{e,0}$ or $S_{e,90}$) and an adjustment factor of 2.1. In Canada, the characteristic edgewise bending moment resistance determined from qualification tests shall equal or exceed the published LSD specified edgewise bending strength ($f_{b,e,0}$ or $f_{b,e,90}$) multiplied by the calculated edgewise section modulus ($S_{e,0}$ or $S_{e,90}$) and divided by an adjustment factor of 0.96.

8.5.6 Edgewise shear properties

Edgewise shear stiffness and capacity (resistance) shall be permitted to be evaluated in accordance with 8.5.6.1 and 8.5.6.2.

8.5.6.1 Edgewise shear test methods

Edgewise shear stiffness tests shall be conducted in both major and minor strength directions in accordance with Sections 45 through 52 of ASTM D198.

Edgewise shear capacity (resistance) tests shall be conducted in both major and minor strength directions in accordance with the full-scale test method specified in Annex A3 of ASTM D5456. The web thickness of the I-shaped cross section shall be the CLT thickness. The specimen shall contain at least one edge joint, as applicable, in the middle 1/3 of the specimen depth.

Note 16: Tests have demonstrated that reinforcing the specimens with flanges (creating I-shaped beams) is necessary for development of the shear failure mode. Conducting preliminary tests to confirm the failure mode is recommended prior to producing the entire batch of I-shaped test specimens. Tests have also demonstrated that it may not be possible to fail the 7-ply or thicker CLT beams in shear in both minor and major strength directions. High-capacity testing apparatus is needed in all cases.

8.5.6.2 Edgewise shear qualification requirements

For use in the U.S. or Canada, the average edgewise shear stiffness determined from qualification tests divided by the gross thickness of CLT (t_p) shall equal or exceed the published modulus of rigidity (shear modulus) in edgewise bending ($G_{e,0}$ or $G_{e,90}$).

In the U.S., the characteristic edgewise shear capacity determined from qualification tests shall equal or exceed the published ASD reference edgewise shear capacity ($F_{v,e,0} t_p$ or $F_{v,e,90} t_p$) multiplied by an adjustment factor of 2.1. In Canada, the characteristic edgewise shear resistance determined from qualification tests shall equal or exceed the published LSD edgewise shear resistance ($f_{v,e,0} t_p$ or $f_{v,e,90} t_p$) divided by an adjustment factor of 0.96.

8.6 Process Changes Qualification

Material changes to the manufacturing process or facilities shall be subjected to subsequent qualification testing. The requirements of 8.2 through 8.5 shall be reapplied for material changes listed or equivalent to that listed in Table 3.

TABLE 3

SUBSEQUENT QUALIFICATION IN RESPONSE TO MATERIAL CHANGES

Category	Applicable Sections	Material Change (examples)	Notes
A	8.2 through 8.5	<ul style="list-style-type: none"> Press equipment Adhesive formulation class Addition or substitution of species from a different species group Changes to the visual grading rules that reduce the effective bond area or the effectiveness of the applied pressure (e.g., warp permitted) 	Excludes replacement with identical press
B	8.2, 8.3	<ul style="list-style-type: none"> Other changes to the manufacturing process or component quality not listed above Adhesive composition (e.g., fillers and extenders) 	Additional evaluation in accordance with Section 8.4 is at the discretion of the approved agency ^a
C	8.4, 8.5	<ul style="list-style-type: none"> Increase in panel width or length of more than 20% 	

a. It is recommended that changes involving two or more manufacturing parameters be subjected to evaluation in accordance with 8.4 and 8.5.

8.7 Mill Specification

Upon conformance with the requirements specified in this standard, a manufacturing specification or documentation unique to the product and mill shall be written based on product evaluation. This specification shall be used for quality assurance purposes by the manufacturer and the *approved agency*. Reference values shall be established during product evaluation or from applicable performance requirements in this standard.

8.8 Certification and Trademarking

8.8.1 Certification

CLT products represented as conforming to this standard shall bear the stamp of an *approved agency* which (1) either inspects the manufacturer or (2) has tested a random sampling of the finished products in the shipment being certified for conformance with this standard.

8.8.2 Product marking

CLT products represented as conforming to this standard shall be identified with marks containing the following information:

- a. CLT grade qualified in accordance with this standard;
- b. The CLT thickness or identification;
- c. The mill name or identification number;
- d. The *approved agency* name or logo;
- e. The symbol of “ANSI/APA PRG 320” signifying conformance to this standard;
- f. Any manufacturer’s designations which shall be separated from the grade-marks or trademarks of the *approved agency* by not less than 6 inches (152 mm); and
- g. “Top” stamp on the top face of custom CLT panels used for roof or floor if manufactured with an unbalanced layup.

8.8.3 Frequency of marking

Non-custom and other required marks in this section shall be placed on standard products at intervals of 8 feet (2.4 m) or less in order that each piece cut from a longer piece will have at least one of each of the required marks.

8.8.4 Custom products

For products manufactured to meet specific job specifications (custom products), the marking shall be permitted to contain information less than that specified in 8.8.2. However, custom products shall bear at least one mark containing a required identification. When long CLT products shipped to a job are to be cut later into several members for use in the structure, the frequency of marking required in 8.8.3 shall be followed.

8.8.5 Voiding marks

CLT products originally marked as conforming to this standard but subsequently rejected as not conforming thereto shall have any reference to the standard obliterated or voided by the manufacturer.

Note 17. This can be performed by blocking out the stamp with permanent black ink or light sanding.

9. QUALITY ASSURANCE

9.1 Objectives

This section is intended for use with CLT products that have qualified for trademarking under this standard. The purpose of this section is to assure product quality by detecting changes in properties that may adversely affect the CLT performance. In all cases, the criteria to which the CLT products are tested shall be provided in the Mill Specification or equivalent document.

9.2 Process Control

On-going evaluation of the process properties listed in this section shall be performed to confirm that the CLT quality remains in satisfactory compliance to the product specification requirements. Sampling methods and quality assurance testing shall be documented in an in-plant manufacturing standard and accepted by the *approved agency*. All processes and test records relevant to the production shall be retained based on the manufacturer’s record retention policy and are subject to audit by the *approved agency*. Production shall be held pending results of the quality assurance testing on representative samples.

9.3 End, Face, and Edge Joints in Laminations

The lamination end joints, face joints, and edge joints (when applicable) shall be sampled and tested for ongoing quality assurance in accordance with Table 3 of ANSI A190.1 and meet the strength (required for end joints only), wood failure, and durability requirements specified therein in the U.S., or shall be sampled and tested in accordance with Section 7 of CSA O122 and meet the strength (required for end joints only), wood failure, and durability requirements specified therein in Canada. Special considerations for face bonding of the CLT panel as a whole are provided in 9.3.1 through 9.3.3 of this standard.

9.3.1 Effective bonding area

On-grade lumber shall be laid up to maintain an effective bonding area of not less than 80% on surfaces to be bonded for each bondline.

Note 18. To maintain an effective bond area, laminations in cross-plyies may need to be oriented such that the bark and pith faces of adjacent pieces are generally alternated.

9.3.2 Lamination grade limits

Grade limits intended to limit the amount of lamination warp that will not be corrected upon application of pressure shall be qualified in accordance with 8.3.

9.3.3 Glue skip in the face bondline

The average glue skip in a face bondline shall not exceed the level established to maintain the effective bonding area specified in 9.3.1. Glue skips are not assessed as delamination unless the inclusion of such skips does not invalidate the delamination requirements.

9.4 Finished Production Inspection

All production shall be inspected visually, and/or by measurements or testing for conformance to this standard with the following attributes:

- a. Dimensions (width, depth and length);
- b. Shape, including straightness and squareness;
- c. Type, quality and location of structural bond lines;
- d. Appearance classification;
- e. Layup, including lumber species and grades, placement, and orientation;
- f. Moisture content; and
- g. Application of the appropriate marks.

9.5 Minor Variations

A product is considered conforming to this standard when minor variations of a limited extent in non-critical locations exist, or when structural damage or defects have been repaired and, in the judgment of a qualified person, the product is structurally adequate for the use intended. The identity of the product and the nature of the minor variation shall be documented and provided to the designer of record upon request. A qualified person is one who is familiar with the job specifications and applicable design requirements and has first-hand knowledge of the manufacturing process.

ANNEX A. DESIGN PROPERTIES FOR ANSI/APA PRG-320 CLT (MANDATORY)

This Annex provides the design properties for CLT layouts listed in Table 1, which represent the production intended for use by the CLT manufacturers in North America and are based on the following layouts:

- E1: 1950f-1.7E Spruce-pine-fir MSR lumber in all longitudinal layers and No. 3 Spruce-pine-fir lumber in all transverse layers
- E2: 1650f-1.5E Douglas fir-Larch MSR lumber in all longitudinal layers and No. 3 Douglas fir-Larch lumber in all transverse layers
- E3: 1200f-1.2E Eastern Softwoods, Northern Species, or Western Woods MSR lumber in all longitudinal layers and No. 3 Eastern Softwoods, Northern Species, or Western Woods lumber in all transverse layers
- E4: 1950f-1.7E Southern pine MSR lumber in all longitudinal layers and No. 3 Southern pine lumber in all transverse layers
- V1: No. 2 Douglas fir-Larch lumber in all longitudinal layers and No. 3 Douglas fir-Larch lumber in all transverse layers
- V2: No. 1/No. 2 Spruce-pine-fir lumber in all longitudinal layers and No. 3 Spruce-pine-fir lumber in all transverse layers
- V3: No. 2 Southern pine lumber in all longitudinal layers and No. 3 Southern pine lumber in all transverse layers

TABLE A1

ASD REFERENCE DESIGN VALUES^{a,b,c} FOR LAMINATIONS (FOR USE IN THE U.S.)

CLT Layout	Laminations Used in Major Strength Direction						Laminations Used in Minor Strength Direction					
	F _b (psi)	E ^d (10 ⁶ psi)	F _t (psi)	F _c (psi)	F _v (psi)	F _s (psi)	F _b (psi)	E ^d (10 ⁶ psi)	F _t (psi)	F _c (psi)	F _v (psi)	F _s (psi)
E1	1,950	1.7	1,375	1,800	135	45	500	1.2	250	650	135	45
E2	1,650	1.5	1,020	1,700	180	60	525	1.4	325	775	180	60
E3	1,200	1.2	600	1,400	110	35	350	0.9	150	475	110	35
E4	1,950	1.7	1,375	1,800	175	55	450	1.3	250	725	175	55
V1	900	1.6	575	1,350	180	60	525	1.4	325	775	180	60
V2	875	1.4	450	1,150	135	45	500	1.2	250	650	135	45
V3	750	1.4	450	1,250	175	55	450	1.3	250	725	175	55

For SI: 1 psi = 0.006895 MPa

a. See Section 4 for symbols.

b. Tabulated values are ASD reference design values and not permitted to be increased for the lumber size and flat use adjustment factors in accordance with the NDS. The design values shall be used in conjunction with the section properties provided by the CLT manufacturer based on the actual layout used in manufacturing the CLT panel (see Table A2).

c. Custom CLT layouts that are not listed in this table shall be permitted in accordance with 7.2.1.

d. The tabulated E values are published E for lumber. For calculating the CLT design properties shown in Table A2, the transverse E of the lamination is assumed to be E/30, the longitudinal G of the lamination is assumed to be E/16, and the transverse G of the lamination is assumed to be longitudinal G/10.

The ASD reference design capacities for these CLT layouts with 3, 5, and 7 layers are provided in Table A2. These capacities were derived analytically using the Shear Analogy Model¹ (the calculated moment capacities in the major strength direction were further multiplied by a factor of 0.85 for conservatism) and validated by testing. The lamination thicknesses are as tabulated. The ASD reference tensile and compressive capacities will be developed and added to future editions of this standard.

¹ Gagnon, S. and M. Popovski. 2011. *Structural Design of Cross-Laminated Timber Elements*. In: Chapter 3, CLT Handbook. FPInnovations, Canada

TABLE A2
ASD REFERENCE DESIGN VALUES^{a,b,c} FOR CLT (FOR USE IN THE U.S.)

CLT Layout	Lamination Thickness (in.) in CLT Layout						Major Strength Direction			Minor Strength Direction				
	=	⊥	=	⊥	=	⊥	(F _b S) _{eff,fo} (lb _f -ft/ft of width)	(E) _{eff,fo} (10 ⁶ lb _f - in. ² /ft of width)	(GA) _{eff,fo} (10 ⁶ lb _f /ft of width)	V _{s,o} (lb _f /ft of width)	(F _b S) _{eff,90} (lb _f -ft/ft of width)	(E) _{eff,90} (10 ⁶ lb _f - in. ² /ft of width)	(GA) _{eff,90} (10 ⁶ lb _f /ft of width)	V _{s,90} (lb _f /ft of width)
E1	4 1/8	1 3/8	1 3/8	1 3/8	1 3/8	1 3/8	4,525	115	0.46	1,430	160	3.1	0.61	495
	6 7/8	1 3/8	1 3/8	1 3/8	1 3/8	1 3/8	10,400	440	0.92	1,970	1,370	81	1.2	1,430
	9 5/8	1 3/8	1 3/8	1 3/8	1 3/8	1 3/8	18,375	1,089	1.4	2,490	3,125	309	1.8	1,960
E2	4 1/8	1 3/8	1 3/8	1 3/8	1 3/8	1 3/8	3,825	102	0.53	1,910	165	3.6	0.56	660
	6 7/8	1 3/8	1 3/8	1 3/8	1 3/8	1 3/8	8,825	389	1.1	2,625	1,430	95	1.1	1,910
	9 5/8	1 3/8	1 3/8	1 3/8	1 3/8	1 3/8	15,600	963	1.6	3,325	3,275	360	1.7	2,625
	4 1/8	1 3/8	1 3/8	1 3/8	1 3/8	1 3/8	2,800	81	0.35	1,110	110	2.3	0.44	385
E3	6 7/8	1 3/8	1 3/8	1 3/8	1 3/8	1 3/8	6,400	311	0.69	1,530	955	61	0.87	1,110
	9 5/8	1 3/8	1 3/8	1 3/8	1 3/8	1 3/8	11,325	769	1.0	1,940	2,180	232	1.3	1,520
	4 1/8	1 3/8	1 3/8	1 3/8	1 3/8	1 3/8	4,525	115	0.50	1,750	140	3.4	0.62	605
E4	6 7/8	1 3/8	1 3/8	1 3/8	1 3/8	1 3/8	10,400	440	1.0	2,410	1,230	88	1.2	1,750
	9 5/8	1 3/8	1 3/8	1 3/8	1 3/8	1 3/8	18,400	1,089	1.5	3,050	2,800	335	1.9	2,400
	4 1/8	1 3/8	1 3/8	1 3/8	1 3/8	1 3/8	2,090	108	0.53	1,910	165	3.6	0.59	660
V1	6 7/8	1 3/8	1 3/8	1 3/8	1 3/8	1 3/8	4,800	415	1.1	2,625	1,430	95	1.2	1,910
	9 5/8	1 3/8	1 3/8	1 3/8	1 3/8	1 3/8	8,500	1,027	1.6	3,325	3,275	360	1.8	2,625
	4 1/8	1 3/8	1 3/8	1 3/8	1 3/8	1 3/8	2,030	95	0.46	1,430	160	3.1	0.52	495
V2	6 7/8	1 3/8	1 3/8	1 3/8	1 3/8	1 3/8	4,675	363	0.91	1,970	1,370	81	1.0	1,430
	9 5/8	1 3/8	1 3/8	1 3/8	1 3/8	1 3/8	8,275	898	1.4	2,490	3,125	309	1.6	1,960
	4 1/8	1 3/8	1 3/8	1 3/8	1 3/8	1 3/8	1,740	95	0.49	1,750	140	3.4	0.52	605
V3	6 7/8	1 3/8	1 3/8	1 3/8	1 3/8	1 3/8	4,000	363	0.98	2,420	1,230	88	1.0	1,750
	9 5/8	1 3/8	1 3/8	1 3/8	1 3/8	1 3/8	7,100	899	1.5	3,050	2,800	335	1.6	2,400

For SI: 1 in. = 25.4 mm; 1 ft = 304.8 mm; 1 lbf = 4.448 N

- a. See Section 4 for symbols.
- b. This table represents one of many possibilities that the CLT could be manufactured by varying lamination grades, thicknesses, orientations, and layer arrangements in the layout.
- c. Custom CLT layouts that are not listed in this table shall be permitted in accordance with 7.2.1.

Note A1. The rounding rules in Table A2 are as follows:

- F_bS (lb_f-ft/ft) and V_s (lb_f/ft)—Nearest 25 for values greater than 2,500, nearest 10 for values between 1,000 and 2,500, or nearest 5 otherwise.
- EI (lb_f-in.²/ft) and GA (lb_f/ft)—Nearest 10⁶ for values greater than 10⁷, nearest 10⁵ for values between 10⁶ and 10⁷, or nearest 10⁴ otherwise.

For use in Canada, the lamination LSD design properties are provided in Table A3 and the CLT LSD design resistances are shown in Table A4. The LSD design resistances are not compatible with the ASD reference design capacities used in the U.S. Since there are no published LSD specified strength and modulus of elasticity for Southern pine lumber in Canada, the CLT Layups E4 and V3 are not listed in Tables A3 and A4.

TABLE A3

LSD SPECIFIED STRENGTH AND MODULUS OF ELASTICITY^{a,b,c} FOR LAMINATIONS (FOR USE IN CANADA)

CLT Layup	Laminations Used in Major Strength Direction						Laminations Used in Minor Strength Direction					
	f_b (MPa)	E^d (MPa)	f_t (MPa)	f_c (MPa)	f_v (MPa)	f_s (MPa)	f_b (MPa)	E^d (MPa)	f_t (MPa)	f_c (MPa)	f_v (MPa)	f_s (MPa)
E1	28.2	11,700	15.4	19.3	1.5	0.50	7.0	9,000	3.2	9.0	1.5	0.50
E2	23.9	10,300	11.4	18.1	1.9	0.63	4.6	10,000	2.1	7.3	1.9	0.63
E3	17.4	8,300	6.7	15.1	1.3	0.43	4.5	6,500	2.0	5.2	1.3	0.43
V1	10.0	11,000	5.8	14.0	1.9	0.63	4.6	10,000	2.1	7.3	1.9	0.63
V2	11.8	9,500	5.5	11.5	1.5	0.50	7.0	9,000	3.2	9.0	1.5	0.50

For SI: 1 MPa = 145 psi

a. See Section 4 for symbols.

b. Tabulated values are LSD design values and not permitted to be increased for the lumber size adjustment factor in accordance with CSA Q86. The design values shall be used in conjunction with the section properties provided by the CLT manufacturer based on the actual layup used in manufacturing the CLT panel (see Table A4).

c. Custom CLT layups that are not listed in this table shall be permitted in accordance with 7.2.1.

d. The tabulated E values are published E for Lumber. For calculating the CLT design properties shown in Table A4, the transverse E of the lamination is assumed to be E/30, the longitudinal G of the lamination is assumed to be E/16, and the transverse G of the lamination is assumed to be longitudinal G/10.

TABLE A4

LSD STIFFNESS AND UNFACTORED RESISTANCES VALUES^{a,b,c} FOR CLT (FOR USE IN CANADA)

CLT Layout	Lamination Thickness (mm) in CLT Layout						Major Strength Direction						Minor Strength Direction					
	=	⊥	=	⊥	=	⊥	$(f_p S)_{eff,1,0}$ (10 ⁶ N-mm/m of width)	$(E)_{eff,1,0}$ (10 ⁹ N-mm ² /m of width)	$(GA)_{eff,1,0}$ (10 ⁶ N/m of width)	$V_{s,0}$ (kN/m of width)	$(f_p S)_{eff,1,90}$ (10 ⁶ N-mm/m of width)	$(E)_{eff,1,90}$ (10 ⁹ N-mm ² /m of width)	$(GA)_{eff,1,90}$ (10 ⁶ N/m of width)	$V_{s,90}$ (kN/m of width)				
E1	105	35	35	35	35	35	42	1,088	7.3	34	1.4	32	9.1	12				
	175	35	35	35	35	35	98	4,166	15	47	12	836	18	34				
	245	35	35	35	35	35	172	10,306	22	59	28	3,183	27	46				
E2	105	35	35	35	35	35	36	958	8.0	43	0.94	36	8.2	15				
	175	35	35	35	35	35	83	3,674	16	59	8.1	929	16	42				
	245	35	35	35	35	35	146	9,097	24	74	19	3,537	25	58				
E3	105	35	35	35	35	35	26	772	5.3	29	0.92	23	6.4	10				
	175	35	35	35	35	35	60	2,956	11	40	8.0	604	13	29				
	245	35	35	35	35	35	106	7,313	16	50	18	2,299	19	40				
V1	105	35	35	35	35	35	15	1,023	8.0	43	0.94	36	8.7	15				
	175	35	35	35	35	35	35	3,922	16	59	8.1	929	17	42				
	245	35	35	35	35	35	61	9,708	24	74	19	3,537	26	58				
V2	105	35	35	35	35	35	18	884	7.2	34	1.4	32	7.5	12				
	175	35	35	35	35	35	41	3,388	14	47	12	836	15	34				
	245	35	35	35	35	35	72	8,388	22	59	28	3,183	23	46				

For SI: 1 mm = 0.03937 in.; 1 m = 3.28 ft; 1 N = 0.2248 lbf

- a. See Section 4 for symbols.
- b. This table represents one of many possibilities that the CLT could be manufactured by varying lamination grades, thicknesses, orientations, and layer arrangements in the layout.
- c. Custom CLT layouts that are not listed in this table shall be permitted in accordance with 7.2.1.

Note A2. The rounding rules in Table A4 are as follows:

$f_p S$ (N-mm/m) and GA (N/m)—Nearest 10⁷ for values greater than 10⁷, nearest 10⁵ for values between 10⁶ and 10⁷, or nearest 10⁴ otherwise.

V_s (kN/m)—Nearest 1 for values greater than 10, nearest 0.1 for values between 10 and 1, or nearest 0.01 otherwise.

EI (N-mm²/m)—Nearest 10⁹ for values greater than 10⁹, nearest 10⁸ for values between 10⁸ and 10⁹, or nearest 10⁷ otherwise.

ANNEX B. PRACTICE FOR EVALUATING ELEVATED TEMPERATURE PERFORMANCE OF ADHESIVES USED IN CROSS-LAMINATED TIMBER (MANDATORY)

B1 Scope

- B1.1** This annex is to be used to evaluate the elevated temperature performance of adhesives used in cross-laminated timber (CLT).
- B1.2** An unprotected CLT floor-ceiling slab is exposed to specified fire conditions representative of a real fire scenario.
- B1.3** The unprotected CLT floor-ceiling slab shall sustain the applied load during the specified fire exposure for a period of 240 minutes without char layer fall-off resulting in fire regrowth during the cooling phase of a fully developed fire.
- B1.4** This annex is used to evaluate the performance of adhesives used in CLT to heat and flame under controlled conditions, but does not by itself incorporate all factors required for fire hazard or fire risk assessment under actual fire conditions
- B1.5** This annex does not purport to address all of the safety concerns, if any, associated with its use. It is the responsibility of the user of this annex to establish appropriate safety and health practices and determine the applicability of regulatory limitations prior to use.

B2 Referenced Documents

See Section 2 of the standard for referenced documents. Referenced standards specific to this annex are listed below.

ASTM C1396/C1396M-17 Standard Specification for Gypsum Board

ASTM E176-15a^{e1} Standard Terminology of Fire Standards

B3 Terminology

B3.1 Definition

Definitions used in this annex are in accordance with Section 3 of the standard, and the terminology standards ASTM D9 and ASTM E176, unless otherwise indicated.

B3.2 Superimposed Load

The additional external load needed to be applied to the slab to result in the specified calculated stresses within the slab when any dead load of the assembly itself is accounted for in the calculations.

B4 Summary of Practice

B4.1 This annex shall be used to evaluate adhesives intended for use in CLT by fire testing a floor-ceiling slab under a vertical load associated with 25% of the effective ASD reference flatwise bending moment of the CLT. The unprotected CLT floor-ceiling slab shall sustain the applied load during the specified fire exposure for a period of 240 minutes without char layer fall-off resulting in a significant temperature increase at the compartment ceiling during the cooling phase of a fully developed fire. The temperature increase is considered significant if, after 150 minutes, any room interior thermocouple at the compartment ceiling exceeds 950 °F (510 °C) at any time before termination of the test.

B5 Significance and Use

B5.1 CLT used in fire-resistance-rated assemblies shall be able to support the superimposed design load for the specified time under the specified fire exposure without char layer fall-off resulting in fire regrowth during the cooling phase of a fully developed fire.

B6 Sample Description**B6.1 Dimensions**

CLT floor-ceiling sample shall be approximately 8 feet by 16 feet (2438 mm by 4877 mm), with the long dimension spanning in the major strength direction. Clear distance between the supports shall be at least 15 feet (4572 mm).

B6.2 Fabrication

CLT floor-ceiling test sample shall be at least 5-ply CLT with maximum lamination thickness of 1-3/8 inches (35 mm) and maximum lamination widths of 7-1/4 inches (184 mm). The edge joints in the laminations shall be tight, but shall not be edge-glued.

B6.3 Adhesive

CLT floor-ceiling test sample shall be fabricated using the adhesive being evaluated.

B6.4 Moisture Content

The moisture content of the CLT floor-ceiling test sample shall be not greater than the moisture content specified in Section 6.1.4 of this standard at the time of the fire test.

B7 Test Room Description**B7.1 Test Room Dimensions**

A test room shall have interior dimensions of 9 feet ± 4 inches (2743 mm ± 102 mm) in width by 19 feet ± 4 inches (5791 mm ± 102 mm) in depth by 8 feet ± 2 inches (2438 mm ± 51 mm) in height. The test room shall consist of two sections separated by a protected beam across the width of the room, located at approximately 15 feet (4572 mm) from the interior of the front wall. The CLT floor-ceiling sample shall be located in the front section of the room. A propane or natural gas diffusion burner shall be used to create the exposing fire. The burner shall be located in the back section of the test room (referred to hereafter as the burner compartment).

Note B1: A steel frame structure protected with three layers of 5/8-inch (15.9-mm) type X gypsum board conforming to ASTM C1396/C1396M and three layers of 6 pcf (96 kg/m³) ceramic fiber blanket (four layers of each in the back section) has been found suitable (see Appendix X2 for a detailed description of the test structure that was used in the development of the method described in this annex).

B7.2 Floor-Ceiling Support

The CLT floor-ceiling slab shall be supported across the full 8-foot (2438-mm) width of the room by the front wall at one end and by a protected beam at the other end. The beam shall be located at a sufficient distance from the front wall to result in a clear span of at least 15 feet (4572 mm). The remaining portion of the ceiling over the burner shall be protected.

B7.3 Front Wall

The 8-foot (2438-mm) tall bearing wall at the front end of the room shall be capable of supporting the CLT floor-ceiling slab for the duration of the fire test.

B7.4 Back Wall

The 8-foot (2438-mm) tall bearing wall at the back end of the room shall be capable of supporting the protected ceiling over the burner for the duration of the fire test.

B7.5 Non-Loadbearing Side Walls

The 10-foot (3048 mm) tall, 19-foot (5791-mm) long side walls of the test room shall be capable of remaining in place without deflection for the duration of the fire test. A narrow gap along each of the side walls shall permit the floor-ceiling slab to deflect freely without contacting the side walls. The gap between the side wall and the CLT floor-ceiling slab shall be covered with ceramic fiber blanket to prevent smoke and hot gases from leaking and exposing the long edges of the CLT slab.

B7.6 Wall Opening Dimensions

All four walls shall be enclosed except for a ventilation opening in the front 8-foot (2438-mm) wall, which shall have dimensions of 36 ± 2 inches (914 ± 51 mm) in width by 75 ± 2 inches (1905 ± 51 mm) in height.

B7.7 Protected Beam

The beam shall be located $15 \text{ feet} \pm 4 \text{ inches}$ ($4572 \pm 102 \text{ mm}$) from the interior of the front wall, and shall be capable of supporting the CLT floor-ceiling slab and the protected ceiling over the burner for the duration of the fire test.

B7.8 Burner Compartment

The back part of the test room shall consist of a $9 \text{ feet} \pm 4 \text{ inches}$ ($2743 \text{ mm} \pm 102 \text{ mm}$) wide by $7 \text{ feet} \pm 2 \text{ inches}$ ($2134 \text{ mm} \pm 51 \text{ mm}$) high burner compartment, and shall be open to the front part of the test room where the CLT floor-ceiling slab is located. The burner compartment shall be protected to ensure that its walls and ceiling remain in place without deflection for the duration of the fire test.

B8 Instrumentation**B8.1 Hot Gas Layer (Ceiling) Thermocouples**

Five 1/8-inch- (3.2-mm-) diameter exposed junction Inconel-sheathed type K thermocouples shall be located 4 inches (102 mm) below the ceiling in the following locations: at the center of the exposed ceiling and at the center of each of the four quadrants of the CLT floor-ceiling slab.

Note B2: To obtain an indication of the temperature evolution at the glue-lines, 1/16-inch- (1.6-mm-) diameter grounded junction Inconel-sheathed type K thermocouples can be inserted from the unexposed side of the CLT. Since the thermal exposure conditions vary somewhat between the front and the back of the test room, it is recommended that embedded thermocouples be installed at three locations along the long dimension of the CLT floor-ceiling slab, i.e., at the center and the quarter points of the clear span. It is further recommended that thermocouples be located at the bottom first, second,

and third gluelines, and as far as possible from joints and edges. For example, for CLT made with 1-3/8-in- (35-mm-) thick laminations, the following thermocouple locations apply: 1.38, 2.75, and 4.13 inches (35, 70, and 105 mm) from the exposed side (bottom) of the CLT floor-ceiling slab. The measurement uncertainty of the embedded thermocouples is due to the error associated with the assumed depth at which the thermocouple is located, heat conduction along the thermocouple wires, the potential presence of gaps and/or local density variations (such as knots) in the vicinity of the thermocouple, etc. Consequently, the optional embedded thermocouple measurements are indicative, and are not part of the acceptance criteria.

B8.2 Gaseous fuel shall be supplied to the burner at a time-varying rate to obtain the heat release rate profile established from calibration testing (see Section B10).

B8.3 Temperatures and the fuel flow rate shall be recorded throughout the test.

B9 Loading

B9.1 The superimposed load on the CLT floor-ceiling slab shall result in 25% of the effective ASD reference flatwise bending moment.

B10 Calibration Test Method

B10.1 Calibration testing shall be conducted to determine the fuel flow rate for the qualification tests. The fuel flow rate shall provide an average temperature of the five ceiling thermocouple temperatures as shown in Figure B1. The time-temperature curve in Figure B1 is achieved by using a diffusion burner placed in the back of the test room, and by changing the burner fuel flow rate in steps at 0, 13, 38, 58, and 88 min. The average ceiling thermocouple temperature at those times shall be within the tolerances given in Table B1. The temperatures at other times in Table B1 are provided for guidance. In no case shall any ceiling thermocouple temperature drop more than 10% below the average of the recorded ceiling thermocouple temperatures.

Note B3: A burner consisting of a 2-by-6-by-1-foot- (610-by-1829-by-305-mm-) tall steel box with open top, filled with gravel and supplied with propane gas has been found suitable. See Appendix X2 for a detailed description of the burner that was used in the development of the method described in this annex.

B10.2 The CLT floor-ceiling slab shall be protected from the bottom with three layers of 5/8-inch (15.9-mm) Type X gypsum wallboard conforming to ASTM C1396/C1396M. The gypsum wallboard shall be attached with Type S drywall screws every 12 inches (305 mm) o.c. with a minimum penetration into the wood of at least 1 inch (25.4 mm).

FIGURE B1

CALIBRATION TIME-TEMPERATURE CURVE

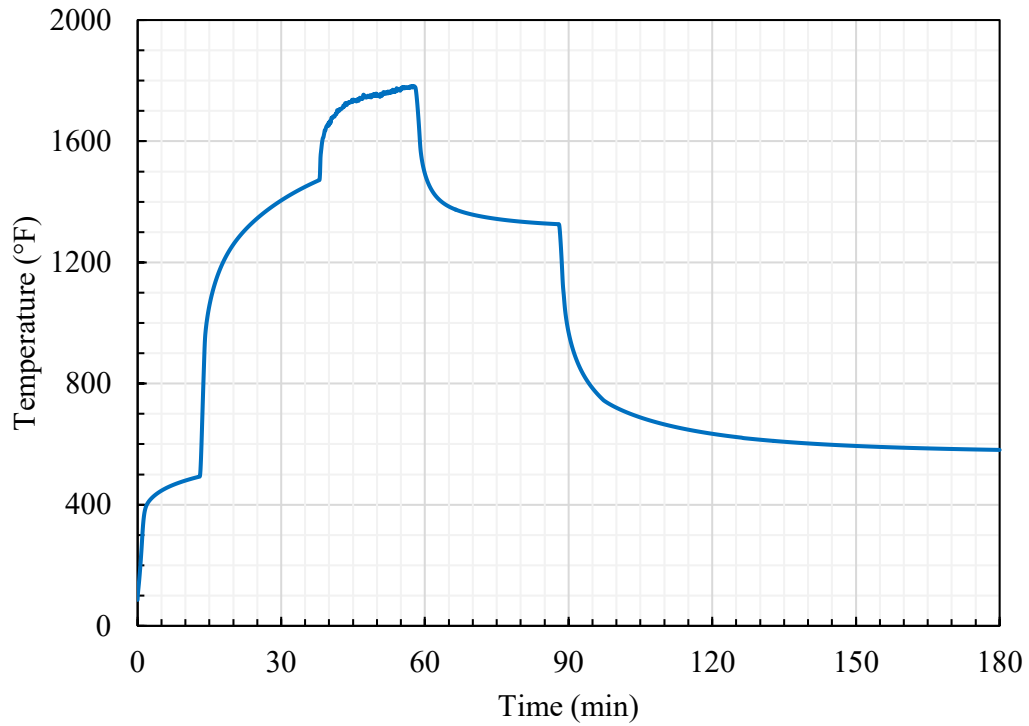


TABLE B1

CALIBRATION TEMPERATURES AND TOLERANCES AT SPECIFIC TIMES

Time (min.)	Temperature (°F)	Tolerance (°F)	Temperature (°C)	Tolerance (°C)
13	493	±36	256	±20
28	1383		751	
38	1472	±45	800	±25
48	1746		952	
58	1778	±54	970	±30
68	1366		741	
78	1338		725	
88	1326	±45	719	±25
120	634		335	
150	594		312	
180	581	±36	305	±20
240	572		300	

B11 Qualification Test Method

B11.1 The fuel flow rate determined in Section B10.1 shall be used for the qualification tests.

B11.2 The unprotected CLT floor-ceiling slab, complying with Section B6, shall be tested for 240 minutes.

Note B4: If the CLT floor-ceiling slab clearly fails prior to 240 minutes, the test should be permitted to be terminated early.

B12 Acceptance Criteria

B12.1 The unprotected CLT floor-ceiling slab shall sustain the applied load during the specified fire exposure for a period of 240 minutes.

B12.2 After 150 minutes, none of the ceiling thermocouples shall exceed 950 °F (510 °C).

B13 Report

B13.1 The report shall contain the following minimum information:

B13.1.1 Description of the CLT floor-ceiling sample including the lamination species, lamination dimensions, slab thickness, and the manufacturer;

B13.1.2 Adhesive manufacturer, adhesive type, and adhesive formulation identification;

B13.1.3 Description of the test room construction;

B13.1.4 Description of the loading method;

B13.1.5 Results of the calibration test including the fuel flow rates and thermocouple data;

B13.1.6 Time-temperature curve for the ceiling thermocouples; and

B13.1.7 Visual observations during and after the test.

APPENDIX X1. EXAMPLES OF CLT APPEARANCE CLASSIFICATIONS (NON-MANDATORY)

This appendix contains examples of CLT appearance classifications for reference only. These requirements are based on the appearance at the time of manufacturing. The actual CLT panel appearance requirements are recommended to be agreed upon between the buyer and the seller.

X1-1 Architectural Appearance Classification

An appearance classification normally suitable for applications where appearance is an important, but not overriding consideration. Specific characteristics of this classification are as follows:

- In exposed surfaces, all knot holes and voids measuring over 3/4 inch (19 mm) are filled with a wood-tone filler or clear wood inserts selected for similarity with the grain and color of the adjacent wood.
- The face layers exposed to view are free of loose knots and open knot holes are filled.
- Knot holes do not exceed 3/4 inch (19 mm) when measured in the direction of the lamination length with the exception that a void may be longer than 3/4 inch (19 mm) if its area is not greater than 1/2 in.² (323 mm²).

- Voids greater than 1/16 inch (1.6 mm) wide created by edge joints appearing on the face layers exposed to view are filled.
- Exposed surfaces are surfaced smooth with no misses permitted.

X1-2 Industrial Appearance Classification

An appearance classification normally suitable for use in concealed applications where appearance is not of primary concern. Specific characteristics of this grade are as follows:

- Voids appearing on the edges of laminations need not be filled.
- Loose knots and knot holes appearing on the face layers exposed to view are not filled.
- Members are surfaced on face layers only and the appearance requirements apply only to these layers.
- Occasional misses, low laminations or wane (limited to the lumber grade) are permitted on the surface layers and are not limited in length.

APPENDIX X2. TEST SETUP USED IN THE DEVELOPMENT OF ANNEX B (NON-MANDATORY)

X2-1 Introduction

This appendix provides a detailed description of the room that was used in the development of the test method described in Annex B.

X2-2 Test Room

A test room was constructed with nominal interior dimensions 9 feet 4 inches (2845 mm) in width, 19 feet (5791 mm) in length, and 8 feet (2438 mm) in height. The ventilation opening in the front wall was nominally 36 inches (914 mm) in width by 75 inches (1905 mm) in height. The test room was built directly on the concrete floor of the laboratory, but the test room floor was protected with several layers of type X gypsum board. Drawings of the finished test room can be found in Figures X2-1 through X2-4. A detailed description follows.

Two steel I-beams of 12 inches (305 mm) in height and 41 lbf/foot (0.6 kN/m) by weight welded together were located at approximately 15 feet (4572 mm) from the front wall to subdivide the test room into two sections. The ceiling of the front section was left open and allowed for the exposure of a 16-foot- (4877-mm-) long by 8-foot- (2438-mm-) wide mass timber ceiling panel. The panel was simply supported by the front wall at one end (bearing length \approx 6 inches or 152 mm), and by the steel I-beam at the other end (bearing length \approx 5-1/4 inches or 133 mm). The sides of the panel were not supported, and the panel was allowed to deflect freely between the two side walls. A gas burner to create the desired fire exposure was located in the back section of the room, as shown in Figure X2-5. Construction details for the test room walls, floor and ceiling are as follows:

X2-2.1 Front Wall

The front wall of the test room consisted of 8-foot- (2438-mm-) tall and 6-inch- (152-mm-) deep, 16-gauge steel studs at 12 inches (305 mm) on center, and with 16-gauge track top and bottom. The interior surface of the frame was covered with three layers of 5/8-inch (15.9-mm) type X gypsum board (National Gypsum Fire-Shield®), 20-gauge galvanized sheet steel, and three layers of 1-inch- (25.4-mm-) thick ceramic fiber blanket (Morgan Thermal Ceramics 6 pcf or 96 kg/m³ Cerablanket®). The exterior surface was covered with

two layers of 5/8-inch (15.9-mm) type X gypsum board, 20-gauge galvanized sheet steel (top half only), and one layer of 1-inch- (25.4-mm-) thick ceramic fiber blanket (additional layers of blanket were used at the soffit and above the ventilation opening).

X2-2.2 Side Walls

The side walls of the test room consisted of three layers of 4-foot- (1219-mm-) wide by 10-foot- (3048-mm-) tall 5/8-inch (15.9-mm) type X gypsum board attached to steel racks. The interior surface of the gypsum board was covered with three layers of 1-inch- (25.4-mm-) thick ceramic fiber blanket. An additional layer of blanket was attached to the side walls in the back section of the test room. In the front section of the test room, the web of a 6-inch- (152-mm-) deep steel stud covered with 16-gauge track was attached to the side walls at 8 feet (2438 mm) above the floor. The bottom of the covered studs was protected with three layers of 5/8-inch (15.9-mm) type X gypsum board. Two layers were used to protect the vertical and top surfaces. The studs and track mounted along the side walls were covered with four layers of ceramic fiber blanket to reduce the width of the opening in the front section of the test room from 9 feet 4 inches (2845 mm) to 8 feet 5 inches (2565 mm), as shown in Figure X2-5. The gaps along the edges of the panel were filled with ceramic fiber blanket, and the top and bottom of the gaps were then covered with a strip ceramic fiber blanket attached to the panel and a side wall of the test room, as shown in Figure X2-6.

X2-2.3 Back Wall

The back wall of the test room consisted of 8-foot- (2440-mm-) tall, 3-5/8-inch- (92-mm-) deep, 18-gauge steel studs at 12 inches (305 mm) on center and with 18-gauge track top and bottom. The interior surface of the frame was covered with four layers of 5/8-inch (15.9-mm) type X gypsum board and three layers of 1-inch- (25.4-mm-) thick ceramic fiber blanket. The exterior surface was not finished. An opening at the bottom of the back wall allowed the 2-inch- (50.8-mm-) diameter propane pipe nipple from the burner to pass-through to connect to the supply hose outside the test room. The opening was sealed with ceramic fiber blanket.

X2-2.4 I-beams

The space between the exposed surfaces of the flanges and web were filled with several layers of 5/8-inch (15.9-mm) type X gypsum board, and the beams were then wrapped with four layers of 1-inch- (25.4-mm-) thick ceramic fiber blanket.

X2-2.5 Back Section Ceiling

The ceiling above the burner consisted of a spare 4.5-foot (1372-mm) by 8-foot (2438-mm) CLT panel, protected with four layers of 5/8-inch (15.9-mm) type X gypsum board and four layers of 1-inch- (25.4-mm-) thick ceramic fiber blanket. The front edge of the CLT panel was supported by one of the two I-beams. At the back edge, the CLT panel was attached to a 3-1/2-inch (89-mm) by 3-1/2-inch (89-mm) by 1/4-inch (6.4-mm) angle iron welded to the racks supporting the side walls.

Fastener details are as follows:

- First layer of gypsum board: 1-7/8-inch (48-mm) #6 type S bugle head drywall screws.
- Second layer of gypsum board: 2-1/2-inch (64-mm) #6 type S bugle head drywall screws.
- Third and fourth layer of gypsum board: 3-inch (76-mm) #8 type S bugle head drywall screws.
- First and second layer of ceramic fiber blanket: 4-1/2-inch (114-mm) coarse thread screws with 1-inch (25.4-mm) washers.
- Third and fourth layer of ceramic fiber blanket: 12-gauge galvanized steel wire bent into horseshoe shape.

Screw spacing was approximately 12 inches (305 mm). Wires were used where needed. All joints were staggered with at least 1 foot (305 mm) separation.

X2-3 Gas Burner

X2-3.1 Burner Construction

A gas burner was constructed to create the exposing fire. The burner consisted of a 6-foot- (1829-mm-) long by 2-foot- (610-mm-) wide by 1-foot- (305-mm-) tall steel box with open top. Five pieces of 2-inch (51-mm) by 3-inch (76 mm) steel rectangle tube were welded to the bottom plate, elevating the burner approximately 2 inches (51 mm) above the floor (see Figure X2-5). The burner was supplied with propane through a 2-inch- (51-mm-) diameter pipe. The gas flow was evenly distributed to eight downward-facing release points as shown in Figure X2-7. The burner was filled with coarse gravel to ensure relatively uniform propane flow at the top surface (see Figure X2-5).

X2-3.2 Burner Heat Release Rate Profile

Propane was supplied from two tanks via a vaporizer, a regulator, and a 2-inch- (51-mm-) diameter pipe with several shut-off valves and a control valve. The propane flow rate was manually controlled, and measured with a Coriolis mass flow sensor. The burner profile is shown in Table X2-1 and Figure X2-8.

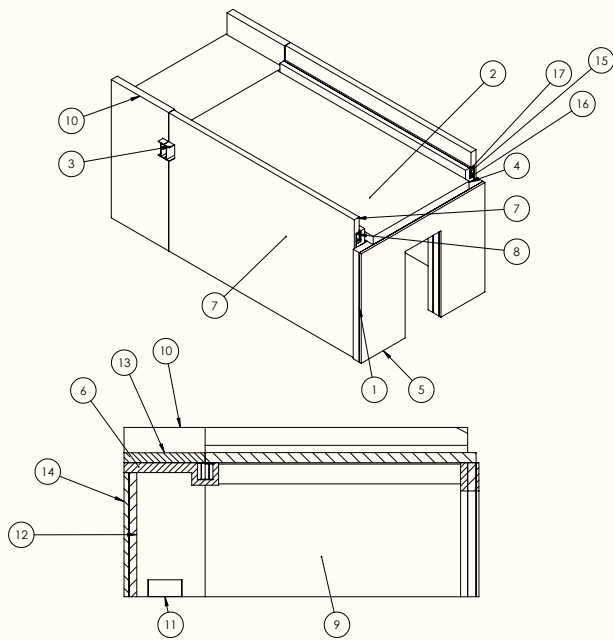
TABLE X2-1

BURNER HRR STEP PROFILE

Start (min.)	End (min.)	HRR (kW)
0	13	250
13	38	1075
38	58	1377
58	88	834
88	End of Test	250

FIGURE X2-1

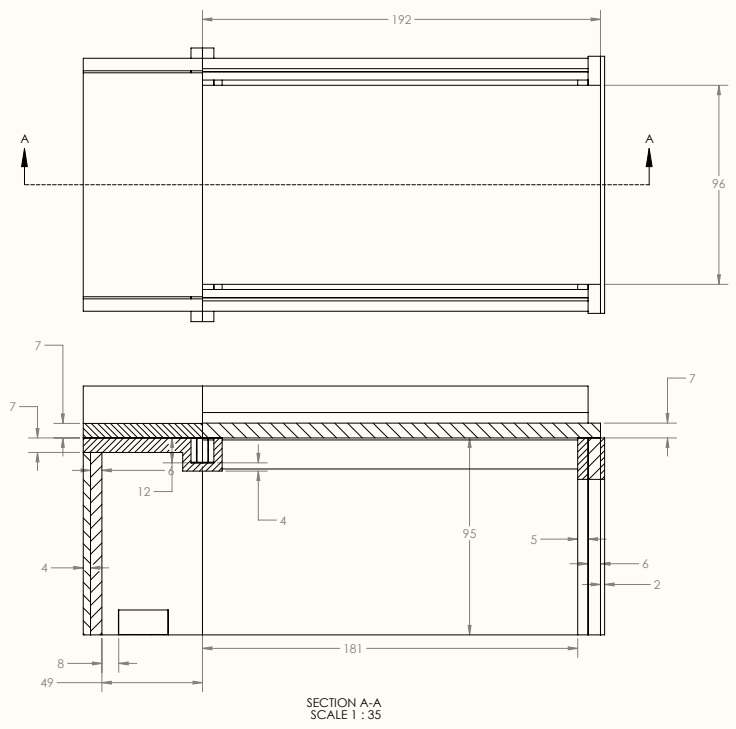
3-D VIEW OF TEST ROOM



Item No.	Description	Quantity
1	Front wall	1
2	CLT panel	1
3	I beam 12 x 41	2
4	Front wall interior insulation	1
5	Front wall exterior insulation	1
6	Burner section ceiling insulation	1
7	Side wall CLT section	2
8	Sidewall studs and track	4
9	Sidewall stud insulation blanket	2
10	Burner section side wall	2
11	Burner	1
12	Burner section back wall	1
13	Burner section CLT panel	1
14	Burner section outside gyp	1
15	Sidewall stud-side gyp	2
16	Sidewall stud under gyp	2
17	Sidewall stud top gyp	2

FIGURE X2-2

PLAN VIEW AND SIDE ELEVATION (SECTION) OF TEST ROOM (Units in inches)



SECTION A-A
SCALE 1 : 35

FIGURE X2-3

PLAN VIEW (SECTION) AND SIDE ELEVATION (SECTION) OF TEST ROOM (Units in inches)

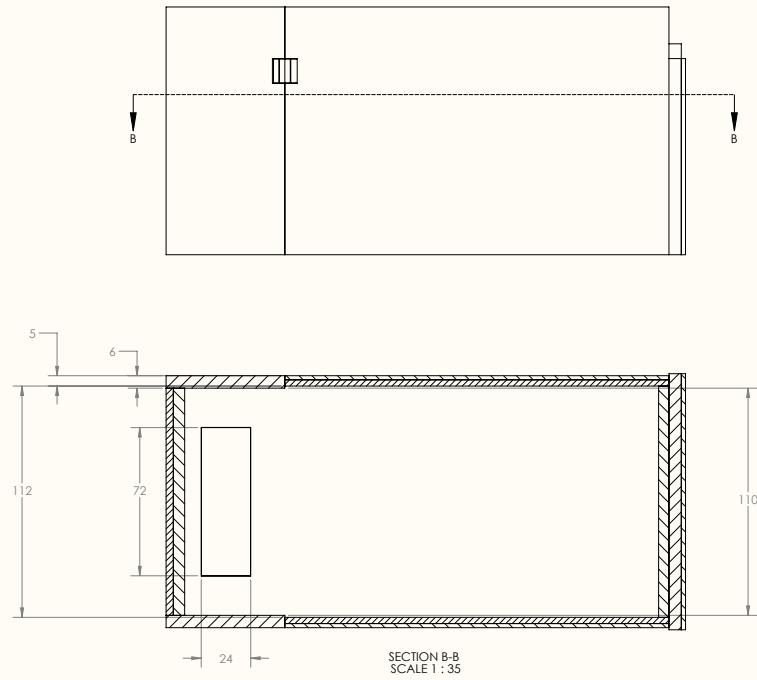


FIGURE X2-4
FRONT ELEVATION AND CONSTRUCTION DETAIL TO NARROW GAP ALONG SIDES OF CLT SAMPLE (Units in inches)

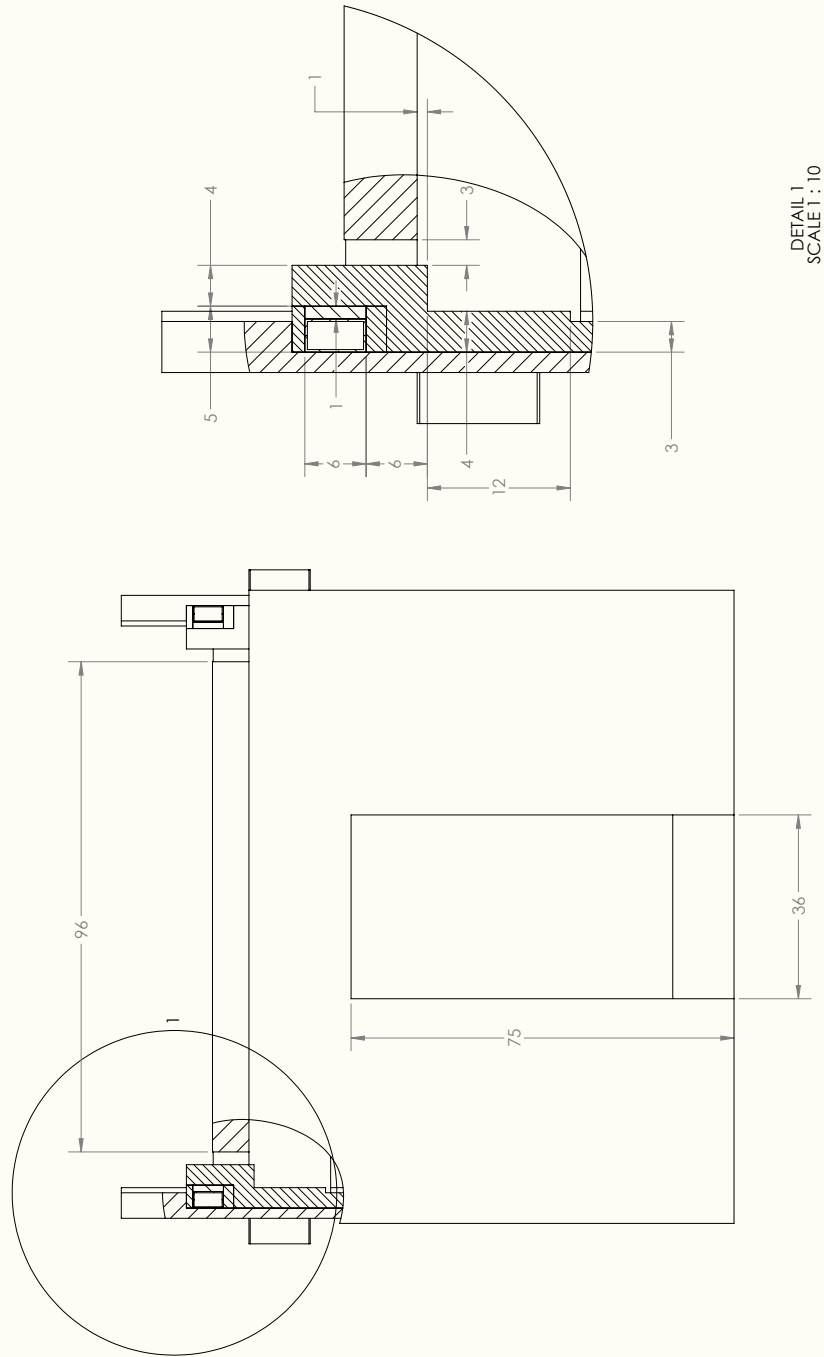


FIGURE X2-5

PROPANE DIFFUSION BURNER



FIGURE X2-6

PICTURE ILLUSTRATING CERAMIC FIBER COVER AROUND PANEL PERIMETER



FIGURE X2-7

SCHEMATIC OF BURNER ILLUSTRATING DISTRIBUTION OF PROPANE FLOW

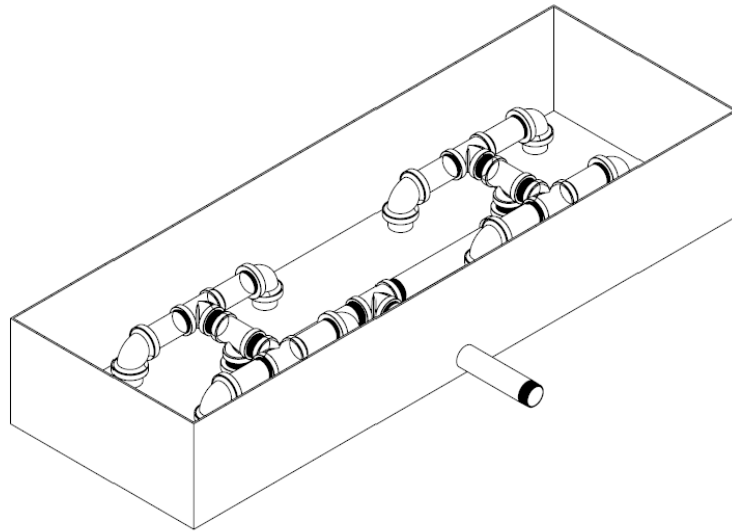
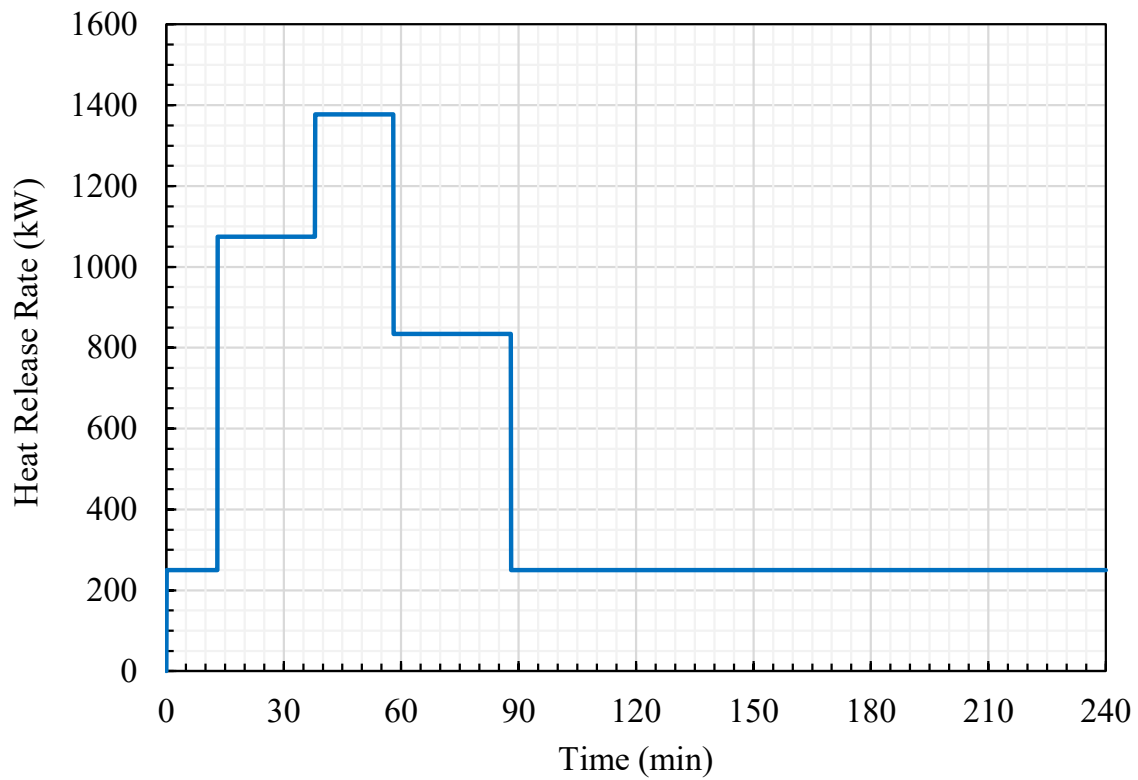


FIGURE X2-8

BURNER HEAT RELEASE RATE PROFILE



APPENDIX X3. HISTORY OF STANDARD (NON-MANDATORY)

In March 2010, the APA Standards Committee on Standard for Performance-Rated Cross-Laminated Timber was formed to develop a national standard under the consensus processes accredited by the American National Standards Institute (ANSI). This national consensus standard, designated as ANSI/APA PRG 320, was developed based on broad input from around the world. It should be especially recognized that this standard incorporates draft standards that were developed by FPInnovations in Canada, as part of the joint effort between the U.S. and Canada in the development of a bi-national CLT standard.

The first version of this standard was approved by ANSI for publication on December 20, 2011. Subsequent revisions resulted in the publication of the following versions:

- ANSI/APA PRG 320-2012 on October 30, 2012,
- ANSI/APA PRG 320-2017 on October 6, 2017, and
- ANSI/APA PRG 320-2018 (this standard.)

The names of the ANSI/APA PRG 320 Committee members when this version of the standard is published are as shown below. The current list of the committee membership is available from the committee secretariat upon request.

Name	Affiliation	Note
Deepareddy Akula	McFarland Cascade	
Joshua Bartlett	Franklin International	
Mark Bartel	International Beams	
Kevin Below	Cross Laminated Timber Canada Inc.	
Hans-Erik Blomgren	Katerra	
Scott Breneman	WoodWorks - Wood Products Council	ExSub Member
Darryl Byle	CLT Solutions LLC	
Kevin Cheung	Western Wood Products Association	
Mark Clark	Momentive Inc.	
Steve Craft	CHM Fire Consultants Ltd.	
Don DeVisser	West Coast Lumber Inspection Bureau	
Bruno Di Lenardo	Canadian Construction Materials Centre	
Brad Douglas	American Wood Council	
Pat Farrell	Freres Lumber Company	
Julie Frappier	Nordic Structures	Vice-Chair
Sylvain Gagnon	FPIInnovations	
Bill Gareis	Ashland Inc.	
Bill Gould	ICC Evaluation Service Inc.	
Jim Henjum	SmartLam LLC	
Ben Herzog	University of Maine	
Frank Lam	University of British Columbia	
Dean Lewis	DCI Engineers	
Jeff Linville	Weyerhaeuser Company	
Robert Malczyk	Equilibrium Consulting Inc.	
Andre Morf	Structurlam Products, LP	
Jeff Morrison	Rosboro LLC	
David Moses	Moses Structural Engineers Inc.	
Lech Muszynski	Oregon State University	
John Neels	NLGA	
Scott Nyseth	Stonewood Structural Engineers Inc.	
Ciprian Pirvu	WoodTech Consulting	
Henry Quesada-Pineda	Virginia Tech	
Douglas Rammer	USDA Forest Products Laboratory	
Alexander Salenikovich	Université Laval	ExSub Member
Scott Skinner	Akzo Nobel Coatings Inc.	
Kurt Stochlia	KSPE Inc.	
Phil Vacca	Louisiana-Pacific Corp.	
Chris Whelan	Henkel Corporation	
Tom Williamson	T.Williamson-Timber Engineering LLC	Chair
Steve Winistorfer	PFS TECO	
B.J. Yeh	APA	Secretariat
Cory Zurell	Blackwell Structural Engineers	

Inquiries or suggestions for improvement of this standard should be directed to:

Secretariat, ANSI/APA PRG 320
 APA – The Engineered Wood Association
 7011 South 19th Street
 Tacoma, WA 98466
 Internet address: www.apawood.org
 e-mail address: help@apawood.org

ANSI/APA PRG 320-2018 Standard for Performance-Rated Cross-Laminated Timber

APA HEADQUARTERS

7011 So. 19th St. ▪ Tacoma, Washington 98466 ▪ (253) 565-6600 ▪ Fax: (253) 565-7265

PRODUCT SUPPORT HELP DESK

(253) 620-7400 ▪ help@apawood.org

Form No. PRG 320-2018/Issued February 2018

